

100-40209

28 Volts 525 Amps

PRODUCT SPECIFICATIONS

| | |
|----------------------------|--|
| Part number | 100-40209 |
| System Voltage | 24V |
| Rated Output | 525A |
| Output @ 2000 rpm | 335A |
| Ground | Negative |
| Mounting | Cradle |
| Rotation | Bidirectional |
| Temperature limits: | |
| Low | - 40°C / -40°F |
| High | 93°C / 200°F (with air precleaner) |
| High | 110°C / 230°F (with fresh air intake hose) |
| Speed limits: | 7000 RPM continuous 8000 RPM intermittent |
| Coating | Corrosion-Resistant E-Coated |
| Weight | 94 Lbs / 42.5 Kg. |
| Regulator | Remote |
| Relay/AC | M5 terminal |
| L /Run (Signal) | M6 terminal |

ACCESSORIES:

| | |
|---------------------------------------|--------------|
| Remote Voltage Regulator | # 3500-50251 |
| Air Precleaner | # 4800-2101 |
| Oil Line Cap Kit | # 4900-5000 |
| (oil cooled to air cooled conversion) | |

RECOMMENDED FOR:

- Transit Bus
- Motor Coach
- Marine
- Mining
- Industrial

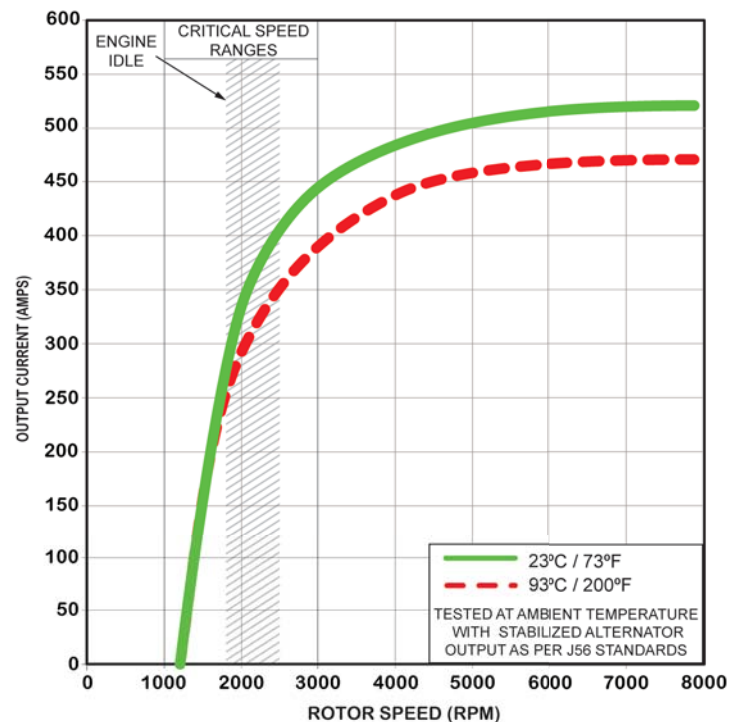


With Air Precleaner (as supplied)

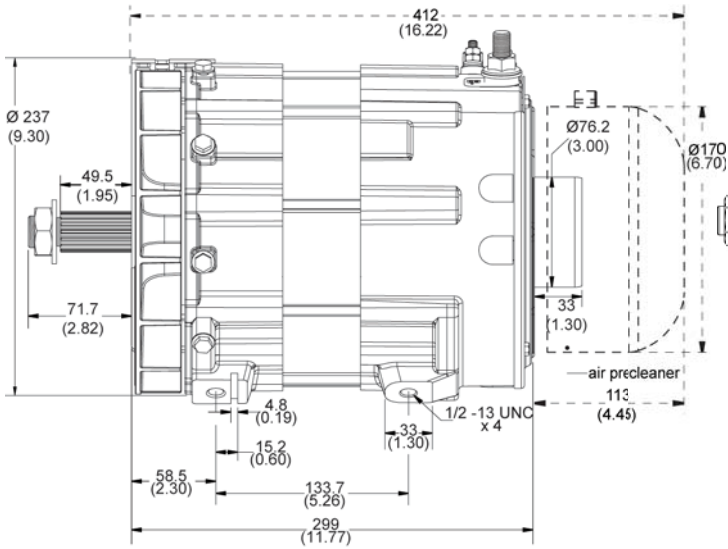
NOTE:

This DelStar 100-40209 alternator, meets the marine requirements for Ignition Protection on gas or diesel engines of ISO 8846, USCG, stated in Title 33 CFR 183.410, SAE J1171 and International CE Standards.

PERFORMANCE CURVES



OUTLINE

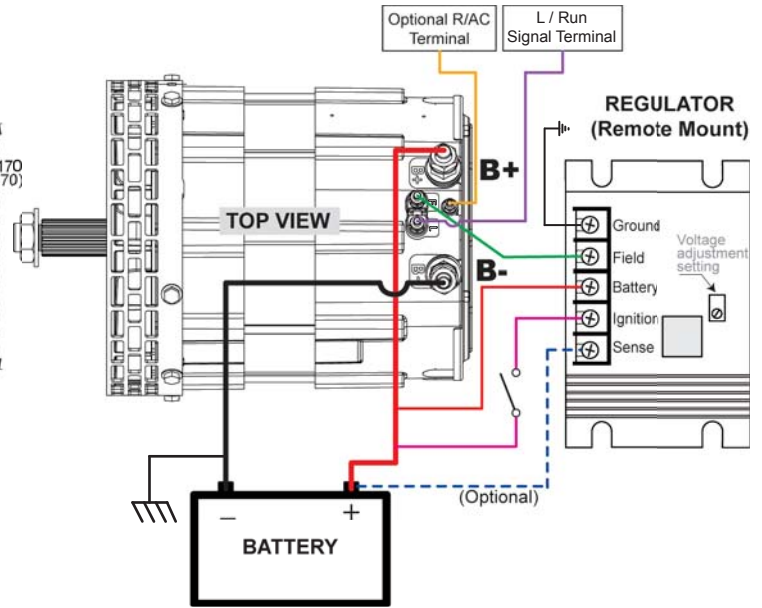


Dimensions are listed in mm over (in)

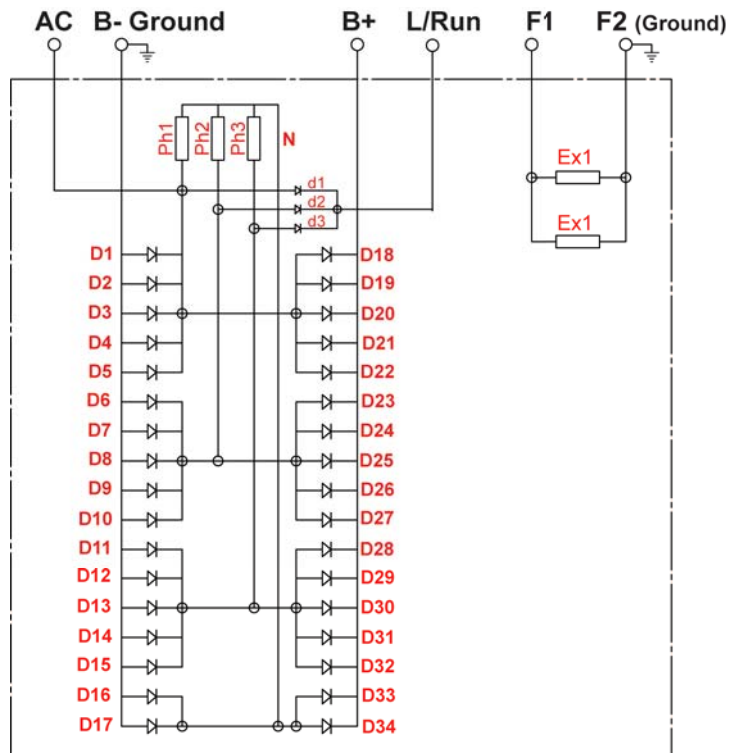
100-40209

28 Volts 525 Amps

CONNECTIONS



ELECTRICAL SCHEMATIC



CANADA & EXPORT SALES

Dixie Electric Ltd. Tel.: 905-879-0533 800-461-5799
 517 Basaltic Road Fax: 905-879-0532
 Concord, ON. E-Mail: sales@dixie-electric.com
 Canada L4K 4W8 Web Site: www.dixie-electric.com



U.S.A. SALES

Dixie Electric Inc.
 17100 Medina Rd, Suite 100
 Minneapolis, MN.
 U.S.A. 55447-1249

Tel.: 763-475-6629 800-478-0608
 Fax: 763-475-6635 800-392-8719
 E-Mail: mn.sales@dixie-electric.com
 Web Site: www.dixie-electric.com