

### 100-18102,-D 14 Volts 385 Amps

#### PRODUCT SPECIFICATIONS

<b>Part number</b>	100-18102
<b>System Voltage</b>	12V
<b>Rated Output</b>	385A
<b>Output @ 2000 rpm</b>	245A
<b>Ground</b>	Isolated
<b>Mounting</b>	J180 4"Hinge
<b>Rotation</b>	Bidirectional
<b>Temperature limits:</b>	
Low	-40°C / -40°F
High	110°C / 230°F
High	125°C / 257°F (with fresh air intake)
<b>Speed limits:</b>	8000 RPM continuous 9000 RPM intermittent
<b>Coating</b>	Corrosion-Resistant E-Coated
<b>Weight</b>	46 Lbs / 21 Kg.
<b>Regulator</b>	Remote



**100-18102**

**100-18102-D**

with air intake cover & Optional 90° elbow

#### NOTE:

*This DelStar 100-18102 alternator, meets the marine requirements for Ignition Protection on gas or diesel engines of ISO 8846, USCG, stated in Title 33 CFR 183.410, SAE J1171 and International CE Standards.*

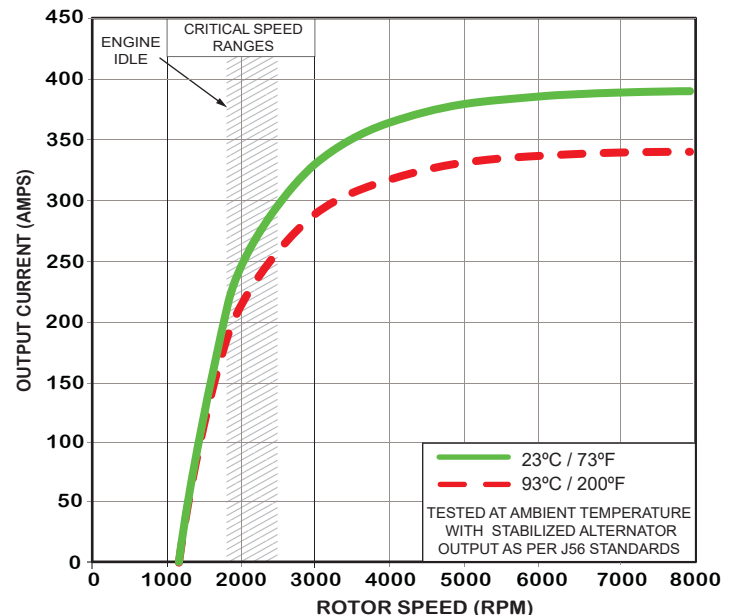
#### ACCESSORIES:

**90° Elbow Pkg.** (360° Rotatable) # 46900-1800

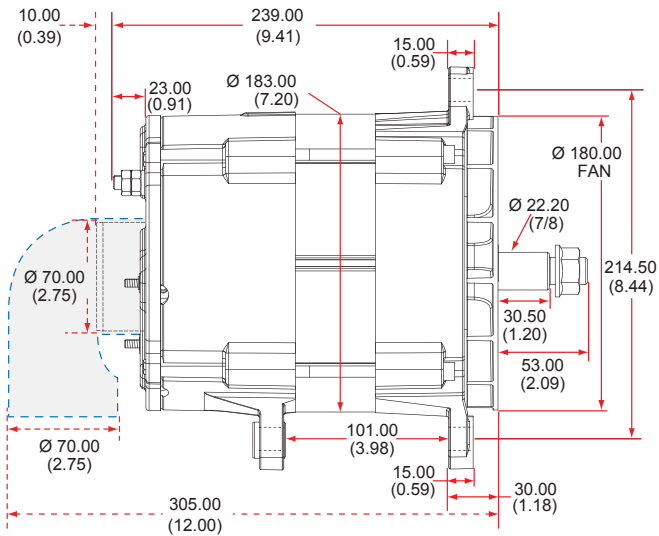
#### RECOMMENDED FOR:

- School & Shuttle Buses
- Emergency Vehicles
- Utility Vehicles

#### PERFORMANCE CURVES

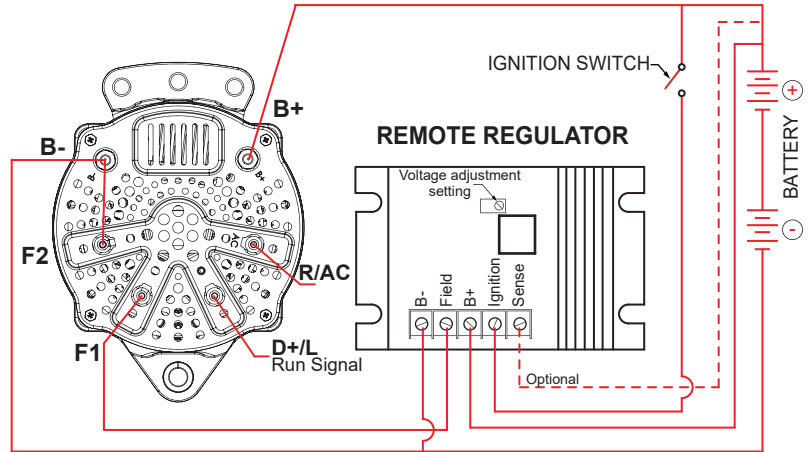


### OUTLINE



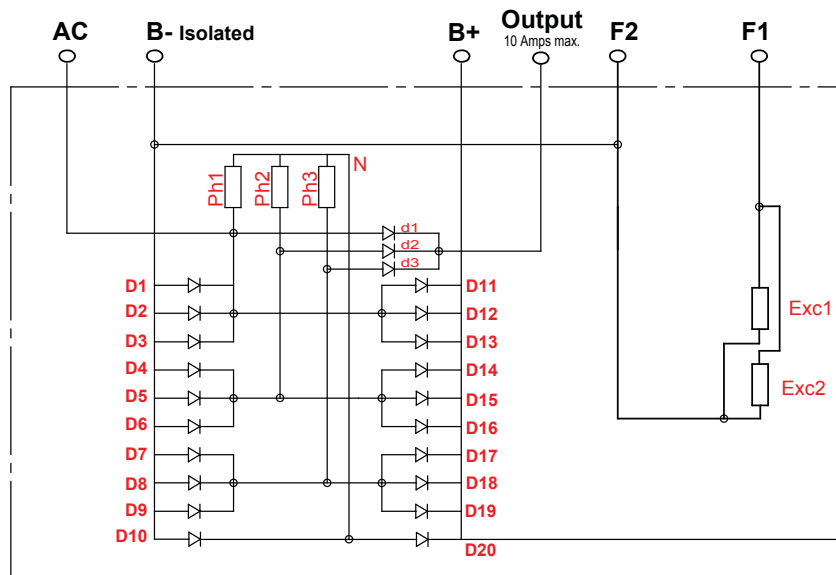
Dimensions are listed in mm over (in)

### CONNECTIONS



100-18102  
14 Volts 385 Amps

### ELECTRICAL SCHEMATIC



D100-18102 - 151013

#### CANADA

Dixie Electric Ltd.  
517 Basaltic Road  
Concord, ON.  
Canada L4K 4W8

Tel.: 905-879-0533 800-461-5799  
Fax: 905-879-0532  
E-Mail: sales@dixie-electric.com  
Web Site: www.dixie-electric.com



#### U.S.A.

Dixie Electric Inc.  
5600 Pioneer Creek Drive, Suite D  
Maple Plain, MN 55359  
U.S.A.

Tel.: 763-475-6629 800-478-0608  
Fax: 763-475-6635 800-392-8719  
E-Mail: mn.sales@dixie-electric.com  
Web Site: www.dixie-electric.us