

## 100-18100,-D 14 Volts 385 Amps

### PRODUCT SPECIFICATIONS

Part number	100-18100
System Voltage	12V
Rated Output	385A
Output @ 2000 rpm	245A
Ground	Negative
Mounting	J180 4"Hinge
Rotation	Bidirectional
<b>Temperature limits:</b>	
Low	-40°C / -40°F
High	110°C / 230°F
High	125°C / 257°F (with fresh air intake)
<b>Speed limits:</b>	
	8000 RPM continuous
	9000 RPM intermittent
Coating	Corrosion-Resistant E-Coated
Weight	46 Lbs / 21 Kg.
Regulator	Integral
Excitation	Self-excited (@ < 1600 rpm)
Indicator Light	Yes
Remote Sense	Yes
Soft Start Delay (SSD)	Yes
Field Short Circuit Protection	Yes
Load Dump Protection	Yes
Overvoltage Shut-Down (OSD)	Yes

#### ACCESSORIES:

**90° Elbow Pkg.** (360° Rotatable) # 46900-1800

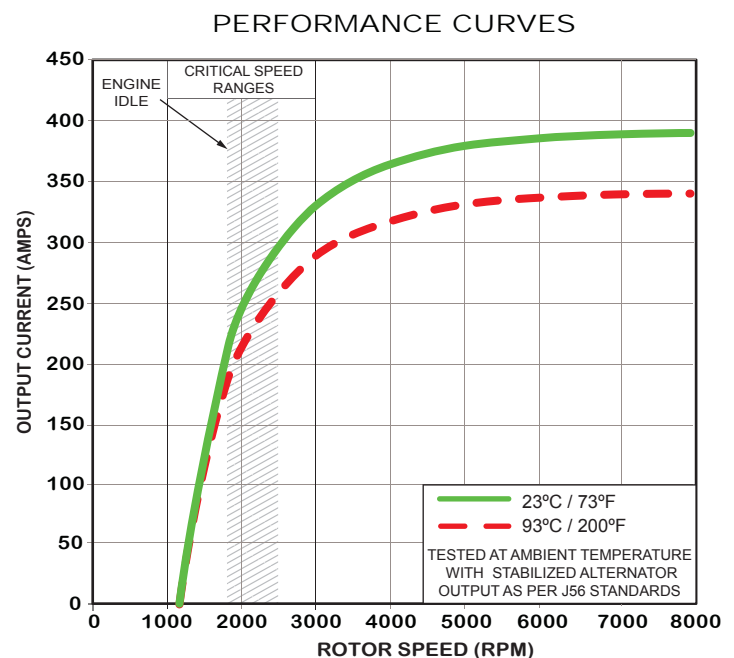
#### RECOMMENDED FOR:

- School & Shuttle Buses
- Emergency Vehicles
- Utility Vehicles

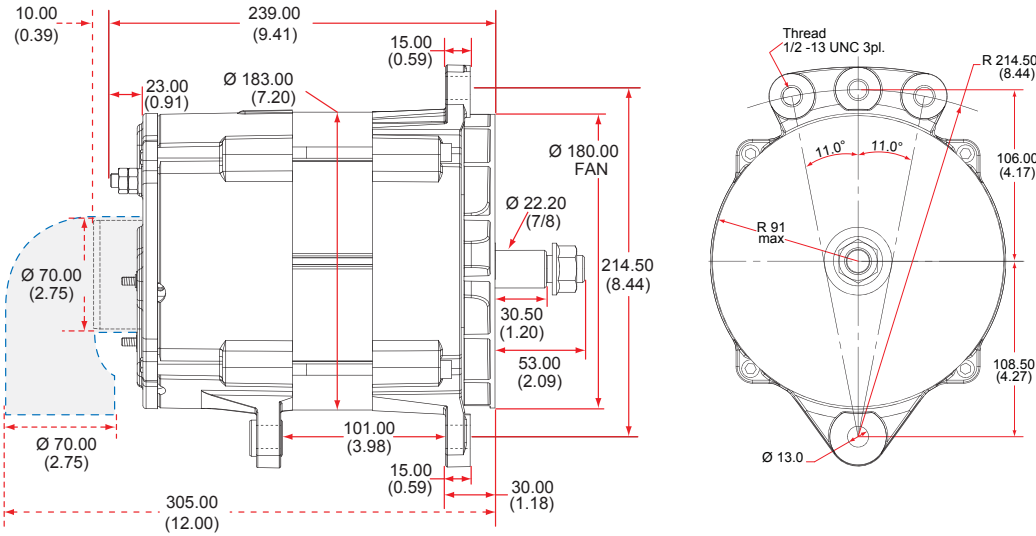


#### NOTE:

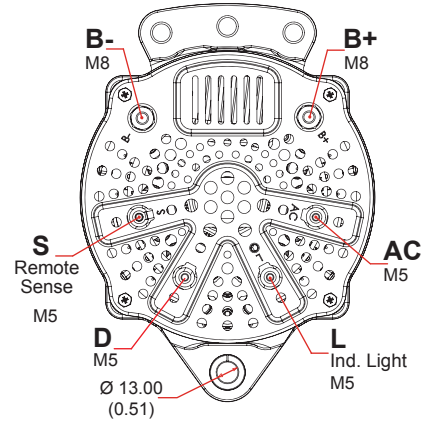
*This DelStar 100-18100 alternator, meets the marine requirements for Ignition Protection on gas or diesel engines of ISO 8846, USCG, stated in Title 33 CFR 183.410, SAE J1171 and International CE Standards.*



### OUTLINE



### CONNECTIONS

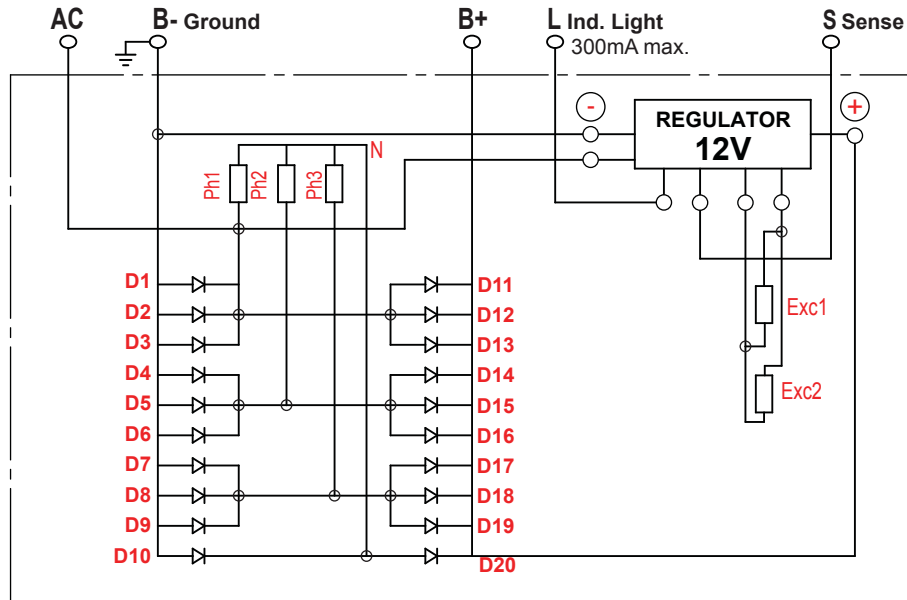


Dimensions are listed in mm over (in)

100-18100

14 Volts 385 Amps

### ELECTRICAL SCHEMATIC



D100-18100 - 151013 - Rev.: 191015

#### CANADA

Dixie Electric Ltd. Tel.: 905-879-0533 800-461-5799  
 517 Basaltic Road Fax: 905-879-0532  
 Concord, ON. E-Mail: sales@dixie-electric.com  
 Canada L4K 4W8 Web Site: www.dixie-electric.com



Setting the Standard

#### U.S.A.

Dixie Electric Inc. Tel.: 763-475-6629 800-478-0608  
 5600 Pioneer Creek Drive, Suite D Fax: 763-475-6635 800-392-8719  
 Maple Plain, MN 55359 E-Mail: mn.sales@dixie-electric.com  
 U.S.A. Web Site: www.dixie-electric.us