

# 100-31210,-D

## 28 Volts 400 Amps

### PRODUCT SPECIFICATIONS

<b>Part number</b>	100-31210,-D
<b>System Voltage</b>	24V
<b>Rated Output</b>	400A
<b>Output @ 2000 rpm</b>	260A
<b>Ground</b>	Isolated
<b>Mounting</b>	Cradle
<b>Rotation</b>	Bidirectional
<b>Temperature limits:</b>	
Low	- 40°C / -40°F
High	93°C / 200°F (with air precleaner)
High	110°C / 230°F (with fresh air intake hose)
<b>Speed limits:</b>	
	7000 RPM continuous
	8000 RPM intermittent
<b>Coating</b>	Corrosion-Resistant E-Coated
<b>Weight</b>	77 Lbs / 35 Kg.
<b>Regulator</b>	Internal
<b>Excitation</b>	Self-Excite
<b>Indicator Light</b>	Yes
<b>Remote Sense</b>	Yes
<b>Soft Start Delay (SSD)</b>	Yes
<b>Field Short Circuit Protection</b>	Yes
<b>Load Dump Protection</b>	Yes
<b>Overvoltage Shut-Down (OSD)</b>	Yes

#### ACCESSORIES:

**Air Precleaner** # 4800-2101

#### RECOMMENDED FOR:

- Transit Bus
- Industrial
- Motor Coach
- Mining
- Marine



100-31210

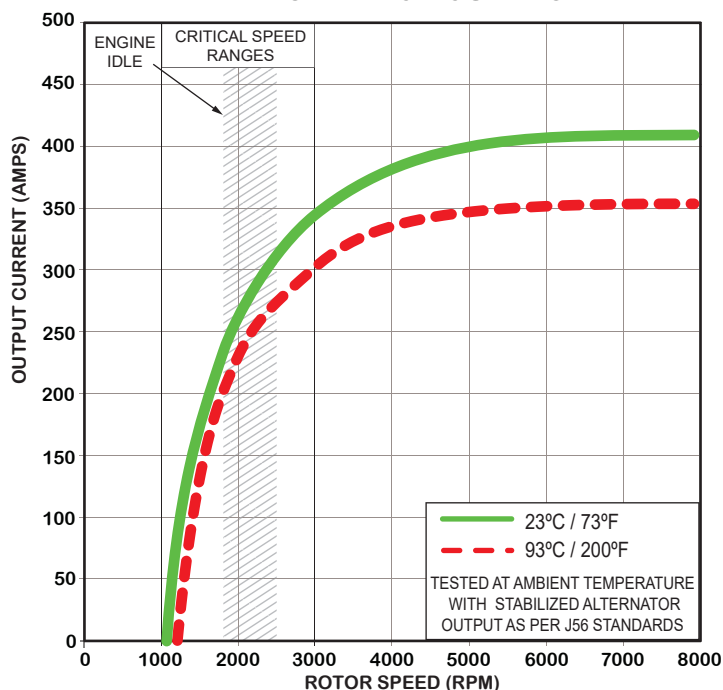


100-31210-D

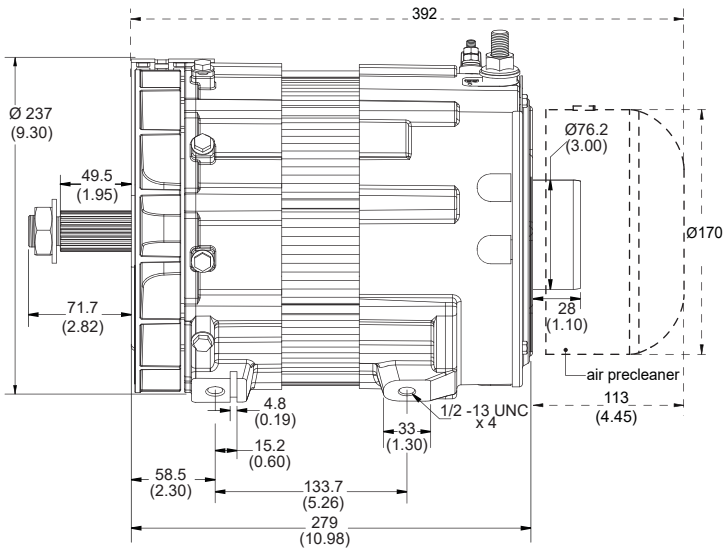
#### NOTE:

*This DelStar 100-31210,-D alternator, meets the marine requirements for Ignition Protection on gas or diesel engines of ISO 8846, USCG, stated in Title 33 CFR 183.410, SAE J1171 and International CE Standards.*

#### PERFORMANCE CURVES

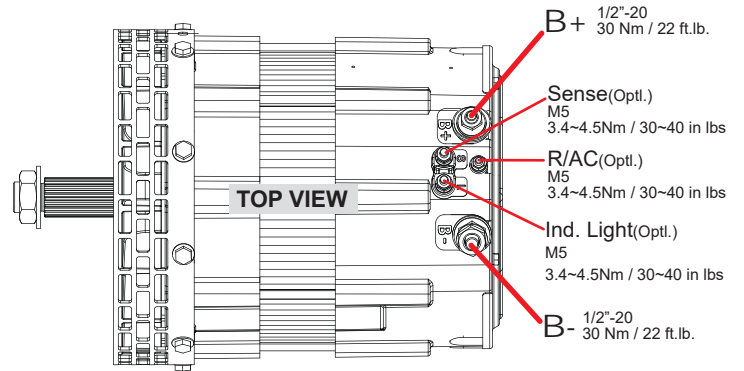


### OUTLINE



Dimensions are listed in mm over (in)

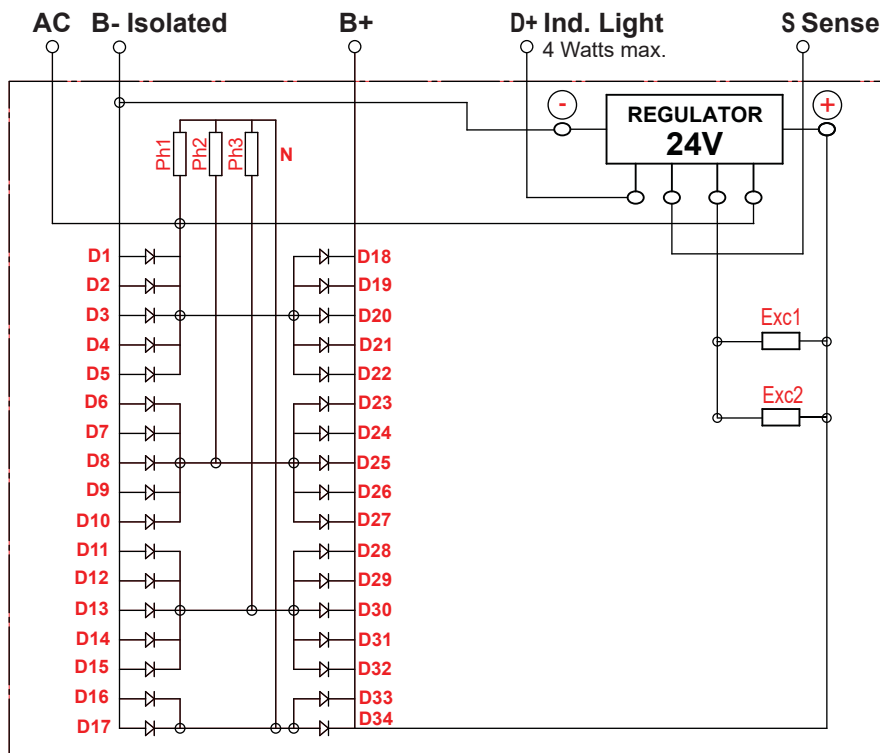
### CONNECTIONS



100-31210,-D

28 Volts 400 Amps

### ELECTRICAL SCHEMATIC



D100-31210-D - 160907 - Rev: 190819

#### CANADA & EXPORT SALES

Dixie Electric Ltd.  
517 Basaltic Road  
Concord, ON.  
Canada L4K 4W8  
Tel.: 905-879-0533 800-461-5799  
Fax: 905-879-0532  
E-Mail: sales@dixie-electric.com  
Web Site: www.dixie-electric.com



#### U.S.A. SALES

Dixie Electric Inc.  
5600 Pioneer Creek Dr.  
Maple Plain, MN  
U.S.A. 55359

Tel.: 763-475-6629 800-478-0608  
Fax: 763-475-6635 800-392-8719  
E-Mail: mn.sales@dixie-electric.com  
Web Site: www.dixie-electric.com