

# 100-31209

## 28 Volts 360 Amps

### PRODUCT SPECIFICATIONS

Part number	100-31209
System Voltage	24V
Rated Output	360A
Output @ 2000 rpm	244A
B+ Terminal	@ 1:00 o'clock, viewed from pulley side
Ground	Negative
Mounting	Cradle
Rotation	Bidirectional

#### Temperature limits:

Low	- 40°C / -40°F
High	93°C / 200°F (with air precleaner)
High	110°C / 230°F (with fresh air intake hose)

Speed limits:	7000 RPM continuous
	8000 RPM intermittent

Coating Corrosion-Resistant E-Coated

Weight 77 Lbs / 35 Kg.

Regulator Internal

Excitation IGN-Exite

Indicator Light Yes

Remote Sense Yes

Soft Start Delay (SSD) Yes

Load Response Control (LRC) Yes

Field Short Circuit Protection Yes

Load Dump Protection Yes

Overvoltage Shut-Down (OSD) Yes

#### ACCESSORIES:

Air Precleaner	# 4800-2101
Oil Line Cap Kit	# 4900-5000
(oil cooled to air cooled conversion)	

#### RECOMMENDED FOR:

- Transit Bus
- Motor Coach
- Marine
- Mining
- Industrial

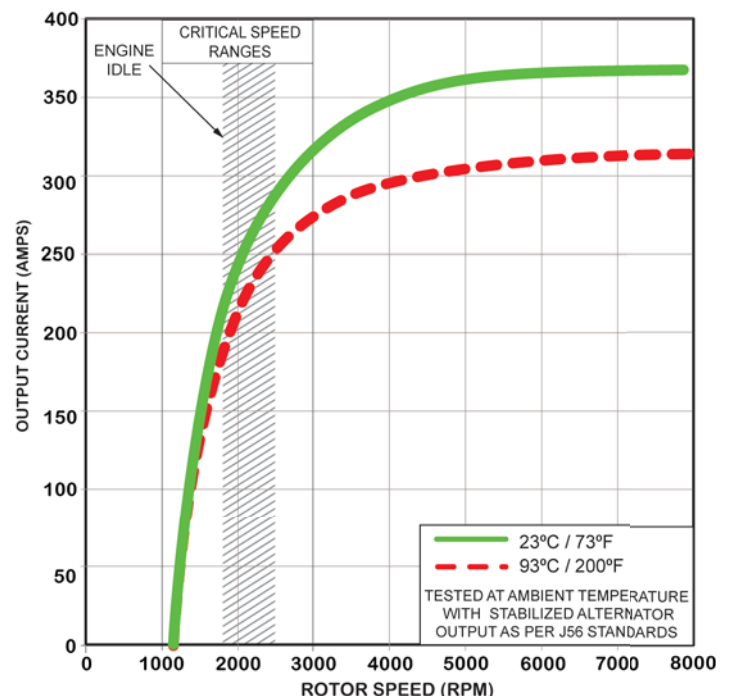


With Air Precleaner (as supplied)

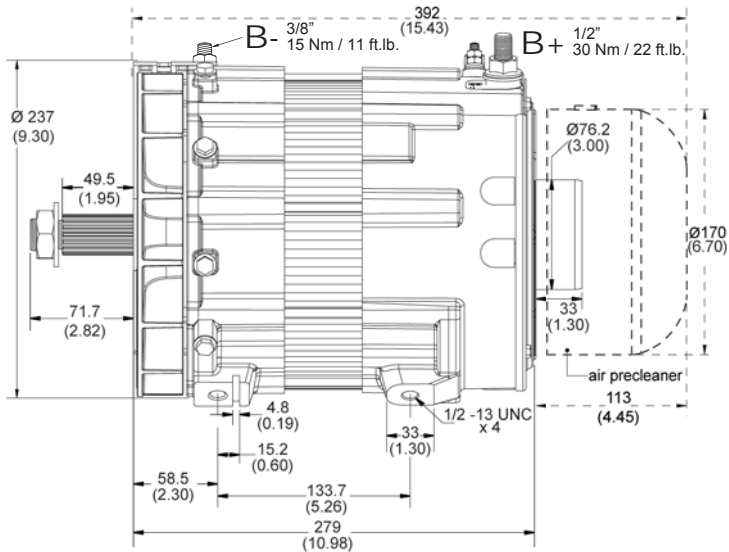
#### NOTE:

*This DelStar 100-31209 alternator, meets the marine requirements for Ignition Protection on gas or diesel engines of ISO 8846, USCG, stated in Title 33 CFR 183.410, SAE J1171 and International CE Standards.*

#### PERFORMANCE CURVES

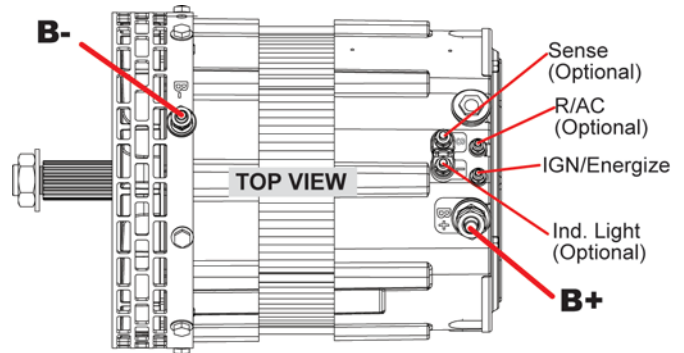


### OUTLINE



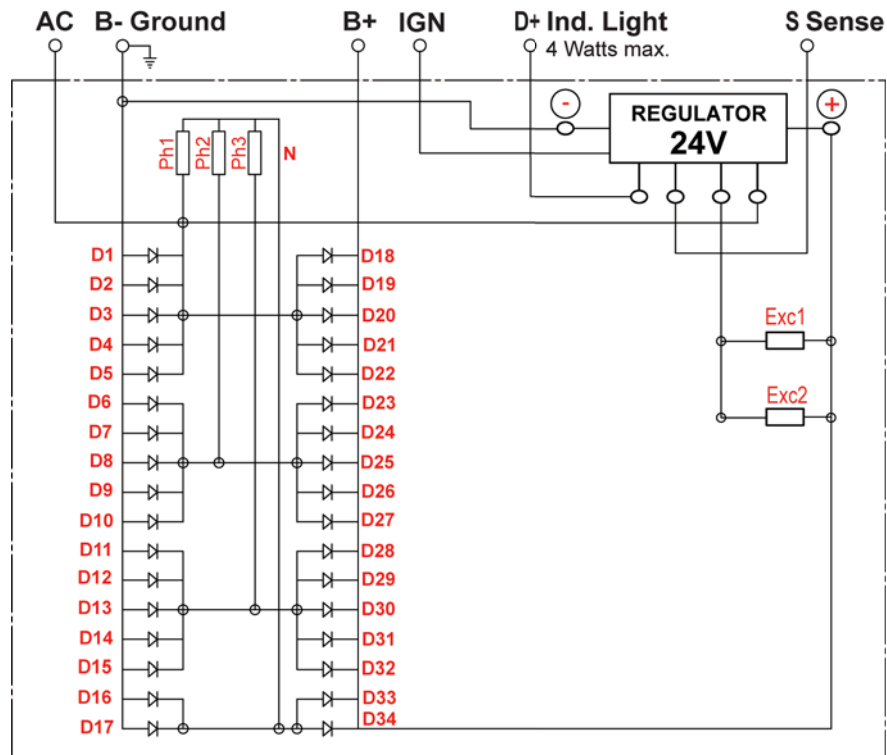
Dimensions are listed in mm over (in)

### CONNECTIONS



100-31209  
28 Volts 360 Amps

### ELECTRICAL SCHEMATIC



D100-31209 - 160226

#### CANADA & EXPORT SALES

Dixie Electric Ltd. Tel.: 905-879-0533 800-461-5799  
517 Basaltic Road Fax: 905-879-0532  
Concord, ON. E-Mail: sales@dixie-electric.com  
Canada L4K 4W8 Web Site: www.dixie-electric.com



#### U.S.A. SALES

Dixie Electric Inc. 17100 Medina Rd, Suite 100  
Minneapolis, MN. U.S.A. 55447-1249

Tel.: 763-475-6629 800-478-0608  
Fax: 763-475-6635 800-392-8719  
E-Mail: mn.sales@dixie-electric.com  
Web Site: www.dixie-electric.com