

100-312071,-D 28 Volts 330 Amps

PRODUCT SPECIFICATIONS

Part number	100-312071,-D
System Voltage	24V
Rated Output	330A
Output @ 2000 rpm	225A
B+ Terminal	@ 1:00 o'clock, viewed from pulley side
Ground	Negative
Mounting	Cradle
Rotation	Bidirectional
Pulley	8S, 3.56" OD

Temperature limits:

Low	- 40°C / -40°F
High	93°C / 200°F (with air precleaner)
High	110°C / 230°F (with fresh air intake hose)

Speed limits:	7000 RPM continuous
	8000 RPM intermittent

Coating Corrosion-Resistant E-Coated

Weight 77 Lbs / 35 Kg.

Regulator Internal

Excitation Self-Excite

Indicator Light Yes

Remote Sense Yes

Soft Start Delay (SSD) Yes

Field Short Circuit Protection Yes

Load Dump Protection Yes

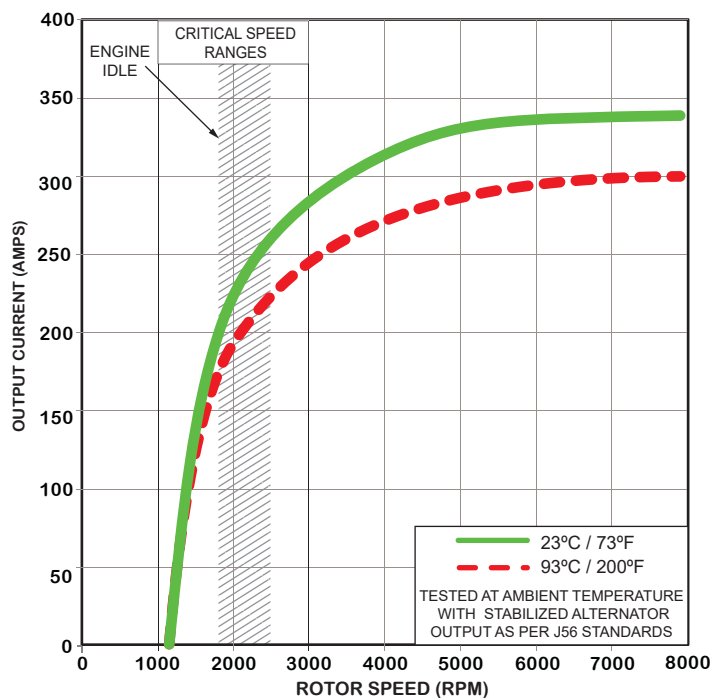
Overvoltage Shut-Down (OSD) Yes



NOTE:

This DelStar 100-312071,-D alternator, meets the marine requirements for Ignition Protection on gas or diesel engines of ISO 8846, USCG, stated in Title 33 CFR 183.410, SAE J1171 and International CE Standards.

PERFORMANCE CURVES



ACCESSORIES:

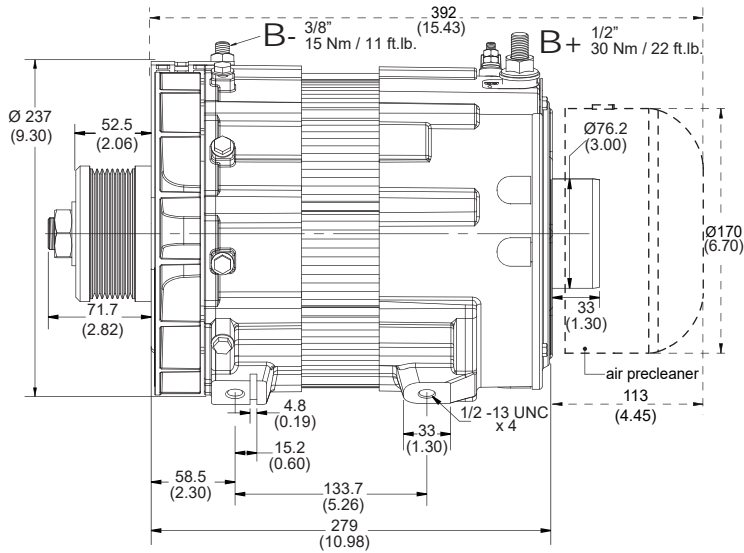
Air Precleaner # 4800-2101

RECOMMENDED FOR:

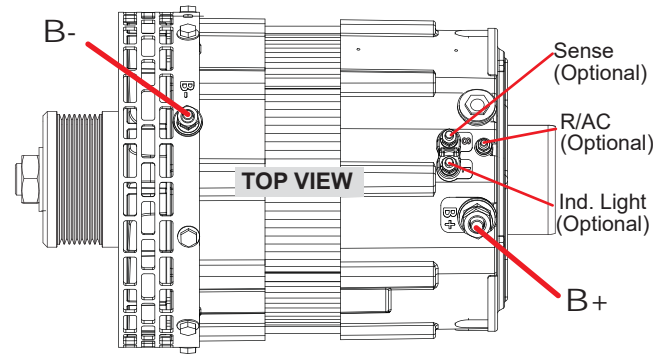
- Transit Bus
- Mining
- Marine
- Motor Coach
- Industrial

OUTLINE

CONNECTIONS



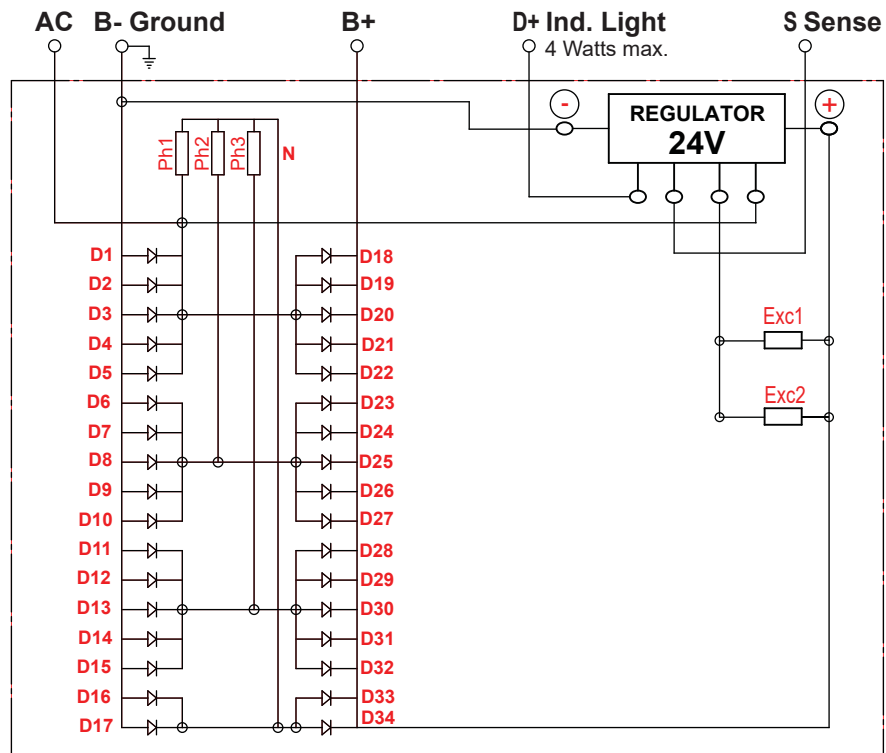
Dimensions are listed in mm over (in)



100-312071,-D

28 Volts 330 Amps

ELECTRICAL SCHEMATIC



D100-312071 - 160623 - Rev. 190424

CANADA & EXPORT SALES

Dixie Electric Ltd. Tel.: 905-879-0533 800-461-5799
 517 Basaltic Road Fax: 905-879-0532
 Concord, ON. E-Mail: sales@dixie-electric.com
 Canada L4K 4W8 Web Site: www.dixie-electric.com



U.S.A. SALES

Dixie Electric Inc. Tel.: 763-475-6629 800-478-0608
 5600 Pioneer Creek Drive, Suite D Fax: 763-475-6635 800-392-8719
 Maple Plain, MN 55359 E-Mail: mn.sales@dixie-electric.com
 U.S.A. Web Site: www.dixie-electric.us