

**100-31204**  
**28 Volts 330 Amps**

### PRODUCT SPECIFICATIONS

<b>Part number</b>	100-31204
<b>System Voltage</b>	24V
<b>Rated Output</b>	330A
<b>Output @ 2000 rpm</b>	225A
<b>Ground</b>	Isolated
<b>Mounting</b>	Cradle
<b>Rotation</b>	Bidirectional
<b>Temperature limits:</b>	
Low	- 40°C / -40°F
High	93°C / 200°F (with air precleaner)
High	110°C / 230°F (with fresh air intake hose)
<b>Speed limits:</b>	
	7000 RPM continuous
	8000 RPM intermittent
<b>Coating</b>	Corrosion-Resistant E-Coated
<b>Weight</b>	77 Lbs / 35 Kg.
<b>Regulator</b>	Internal
<b>Excitation</b>	IGN-Excite

<b>Indicator Light</b>	Yes
<b>Remote Sense</b>	Yes
<b>Soft Start Delay (SSD)</b>	Yes
<b>Load Response Control (LRC)</b>	Yes
<b>Field Short Circuit Protection</b>	Yes
<b>Load Dump Protection</b>	Yes
<b>Overvoltage Shut-Down (OSD)</b>	Yes

#### ACCESSORIES:

<b>Air Precleaner</b>	# 4800-2101
<b>Oil Line Cap Kit</b>	# 4900-5000
(oil cooled to air cooled conversion)	

#### RECOMMENDED FOR:

- Transit Bus
- Motor Coach
- Marine
- Mining
- Industrial

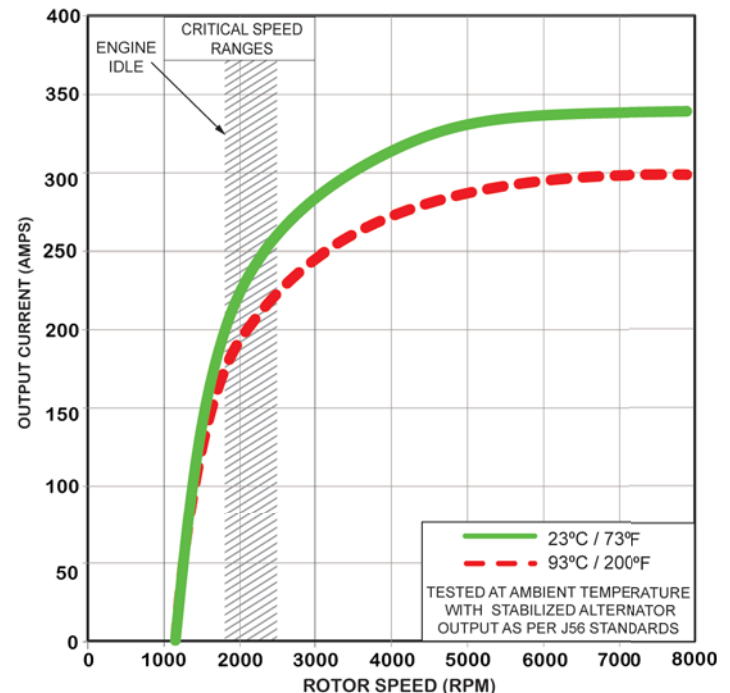


With Air Precleaner (as supplied)

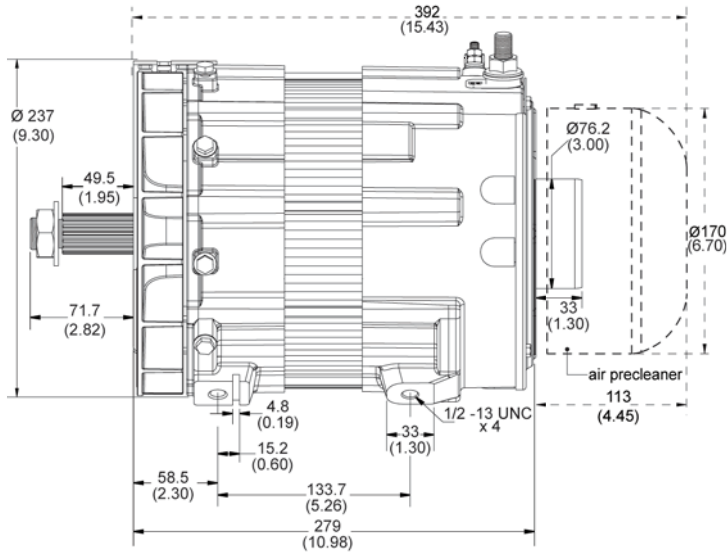
#### NOTE:

*This DelStar 100-31204 alternator, meets the marine requirements for Ignition Protection on gas or diesel engines of ISO 8846, USCG, stated in Title 33 CFR 183.410, SAE J1171 and International CE Standards.*

#### PERFORMANCE CURVES

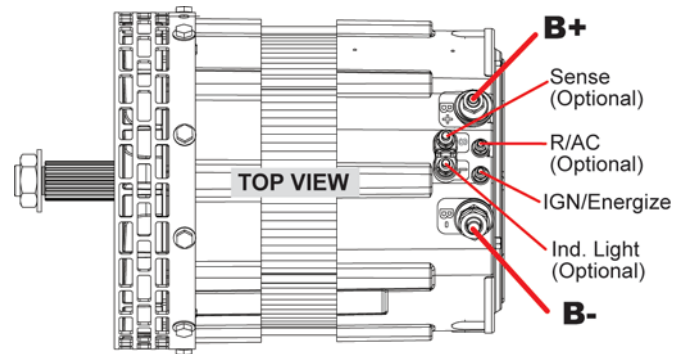


### OUTLINE



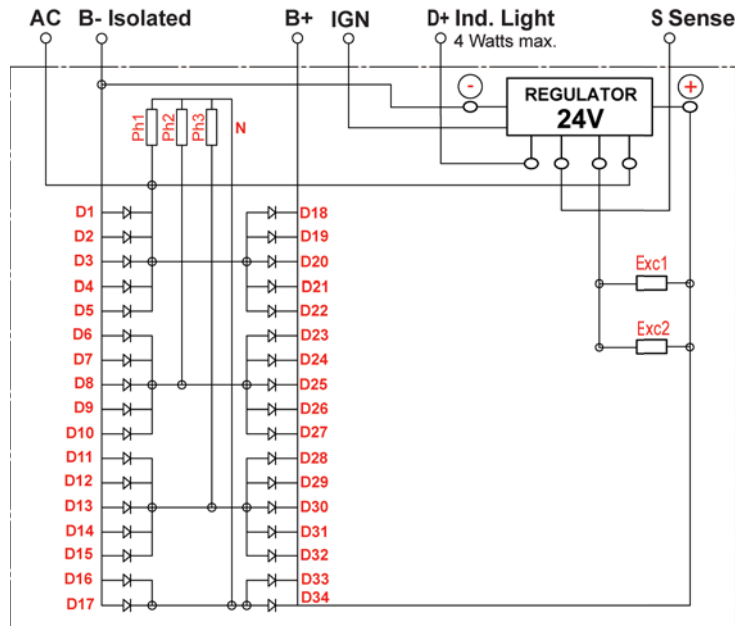
Dimensions are listed in mm over (in)

### CONNECTIONS



100-31204  
28 Volts 330 Amps

### ELECTRICAL SCHEMATIC



D100-31204 - 160907

#### CANADA

Dixie Electric Ltd.  
517 Basaltic Road  
Concord, ON.  
Canada L4K 4W8

Tel.: 905-879-0533 800-461-5799  
Fax: 905-879-0532  
E-Mail: sales@dixie-electric.com  
Web Site: www.dixie-electric.com



#### U.S.A.

Dixie Electric Inc.  
17100 Medina Rd, Suite 100  
Minneapolis, MN.  
U.S.A. 55447-1249

Tel.: 763-475-6629 800-478-0608  
Fax: 763-475-6635 800-392-8719  
E-Mail: mn.sales@dixie-electric.com  
Web Site: www.dixie-electric.com