

100-31202,-D 28 Volts 360 Amps

PRODUCT SPECIFICATIONS

Part number	100-31202,-D
System Voltage	24V
Rated Output	360A
Output @ 2000 rpm	245A
Ground	Isolated
Mounting	Cradle
Rotation	Bidirectional
Temperature limits:	
Low	- 40°C / -40°F
High	93°C / 200°F (with air precleaner)
High	110°C / 230°F (with fresh air intake hose)
Speed limits:	
	7000 RPM continuous
	8000 RPM intermittent
Coating	Corrosion-Resistant E-Coated
Weight	77 Lbs / 35 Kg.
Regulator	Internal
Excitation	Self-Exite
Indicator Light	Yes
Remote Sense	Yes
Soft Start Delay (SSD)	Yes
Field Short Circuit Protection	Yes
Load Dump Protection	Yes
Overvoltage Shut-Down (OSD)	Yes

ACCESSORIES:

Air Precleaner # 4800-2101

RECOMMENDED FOR:

- Transit Bus
- Motor Coach
- Marine
- Mining
- Industrial



100-31202

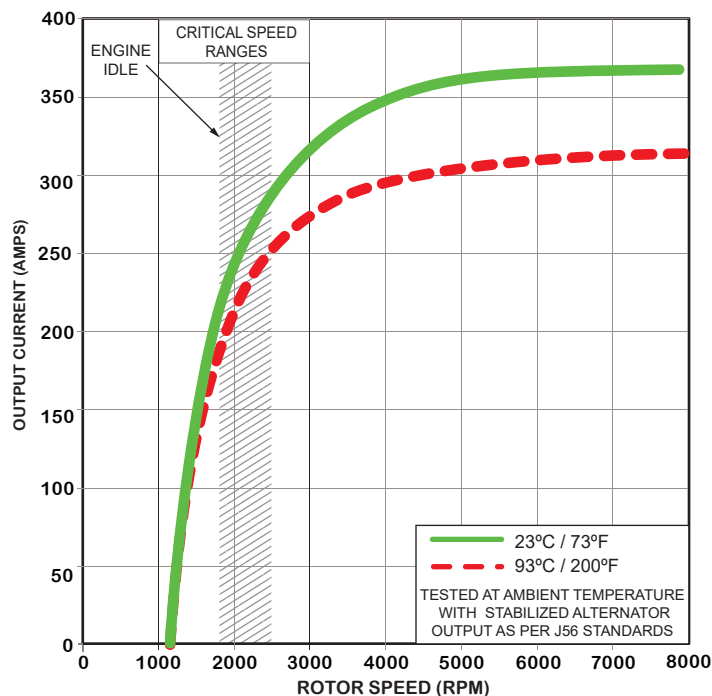


100-31202-D

NOTE:

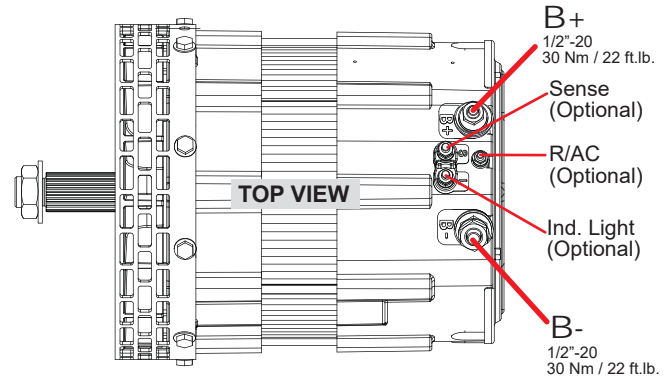
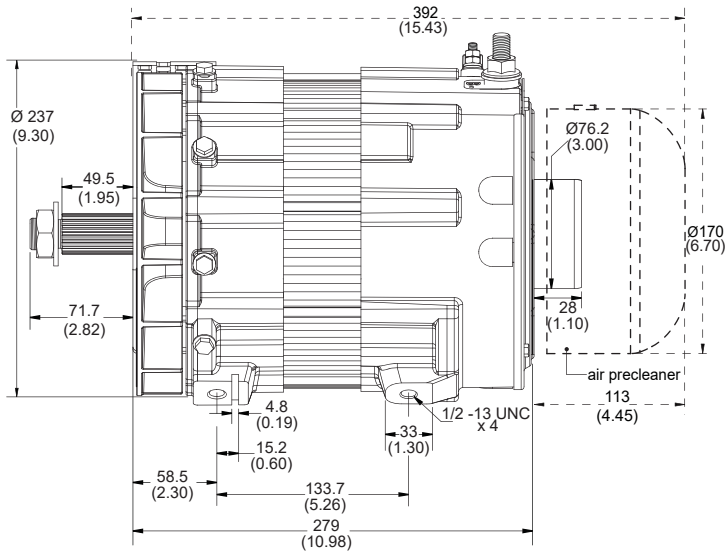
This DelStar 100-31202,-D alternator, meets the marine requirements for Ignition Protection on gas or diesel engines of ISO 8846, USCG, stated in Title 33 CFR 183.410, SAE J1171 and International CE Standards.

PERFORMANCE CURVES



OUTLINE

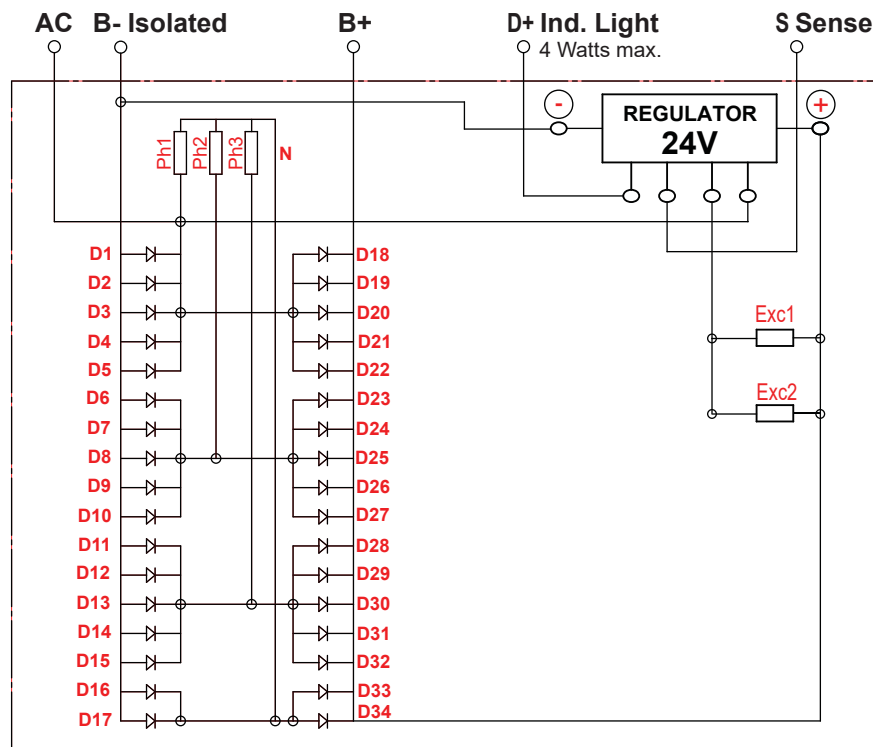
CONNECTIONS



100-31202,-D

28 Volts 360 Amps

ELECTRICAL SCHEMATIC



D100-31209-D - 160226 Rev. 190422

CANADA & EXPORT SALES

Dixie Electric Ltd.
517 Basaltic Road
Concord, ON.
Canada L4K 4W8

Tel.: 905-879-0533 800-461-5799
Fax: 905-879-0532
E-Mail: sales@dixie-electric.com
Web Site: www.dixie-electric.com



U.S.A. SALES

Dixie Electric Inc.
5600 Pioneer Creek Drive, Suite D
Maple Plain, MN 55359
U.S.A.

Tel.: 763-475-6629 800-478-0608
Fax: 763-475-6635 800-392-8719
E-Mail: mn.sales@dixie-electric.com
Web Site: www.dixie-electric.us