

## 100-25209 28 Volts 400 Amps

### PRODUCT SPECIFICATIONS

|                            |                                       |
|----------------------------|---------------------------------------|
| <b>Part number</b>         | 100-25209                             |
| <b>System Voltage</b>      | 24V                                   |
| <b>Rated Output</b>        | 400A                                  |
| <b>Outout @ 2000 rpm</b>   | 200A                                  |
| <b>Ground</b>              | Negative                              |
| <b>Mounting</b>            | J-180 4"                              |
| <b>Pulley</b>              | 8-Grooves, Ø 85.0mm                   |
| <b>Rotation</b>            | Bidirectional                         |
| <b>Temperature limits:</b> |                                       |
| Low                        | - 40°C / -40°F                        |
| High                       | 110°C / 230°F                         |
| High                       | 125°C / 257°F (with fresh air intake) |
| <b>Speed limits:</b>       |                                       |
|                            | 7000 RPM continuous                   |
|                            | 8000 RPM intermittent                 |
| <b>Coating</b>             | Corrosion-Resistant E-Coated          |
| <b>Weight</b>              | 53 Lbs / 24 Kg.                       |
| <b>Regulator</b>           | Integral                              |
| <b>Diode Trio (D+)</b>     | Indicator Light / Ignition            |
| <b>Remote Sense</b>        | M5 terminal                           |
| <b>AC</b>                  | M5 terminal                           |

#### ACCESSORIES:

**90° Elbow Pkg.** (360° Rotatable) # 46900-1800

#### RECOMMENDED FOR:

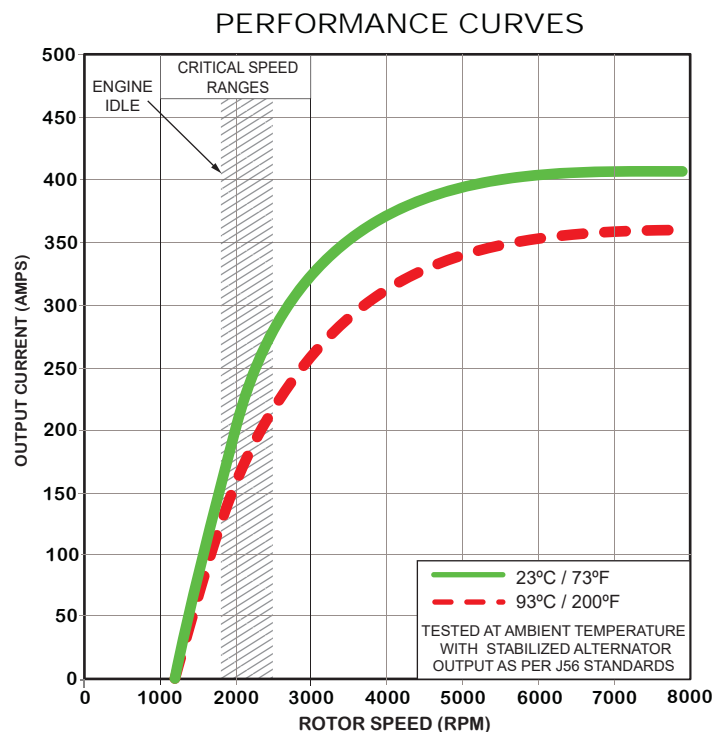
- Coach & Transit Busses
- Marine
- Mining
- Construction, Industrial



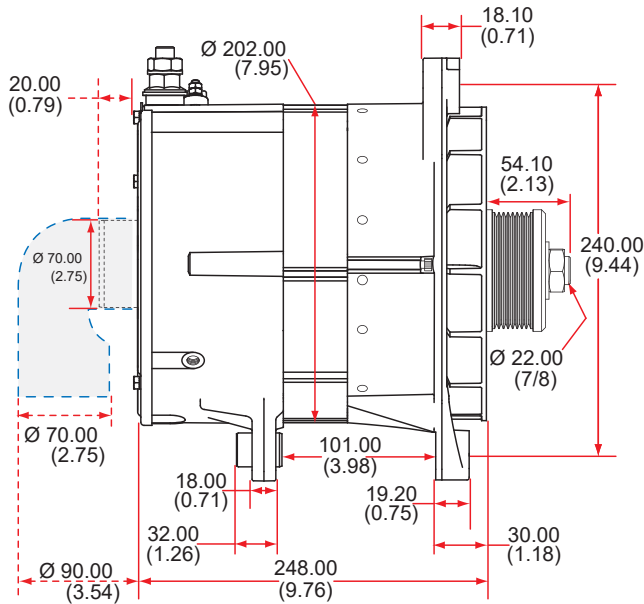
with air intake cover & 90° elbow

#### NOTE:

*This DelStar 100-25209 alternator, meets the marine requirements for Ignition Protection on gas or diesel engines of ISO 8846, USCG, stated in Title 33 CFR 183.410, SAE J1171 and International CE Standards.*

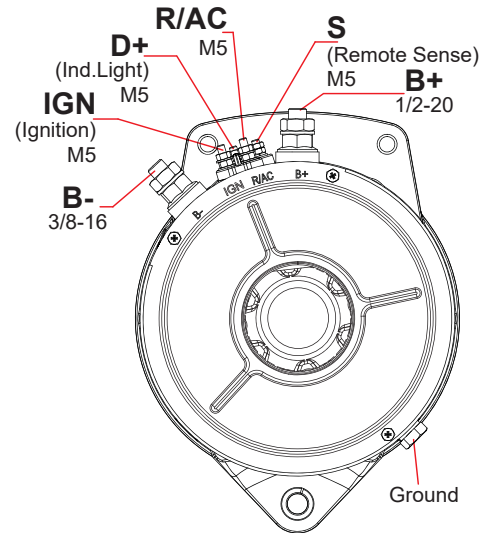


### OUTLINE



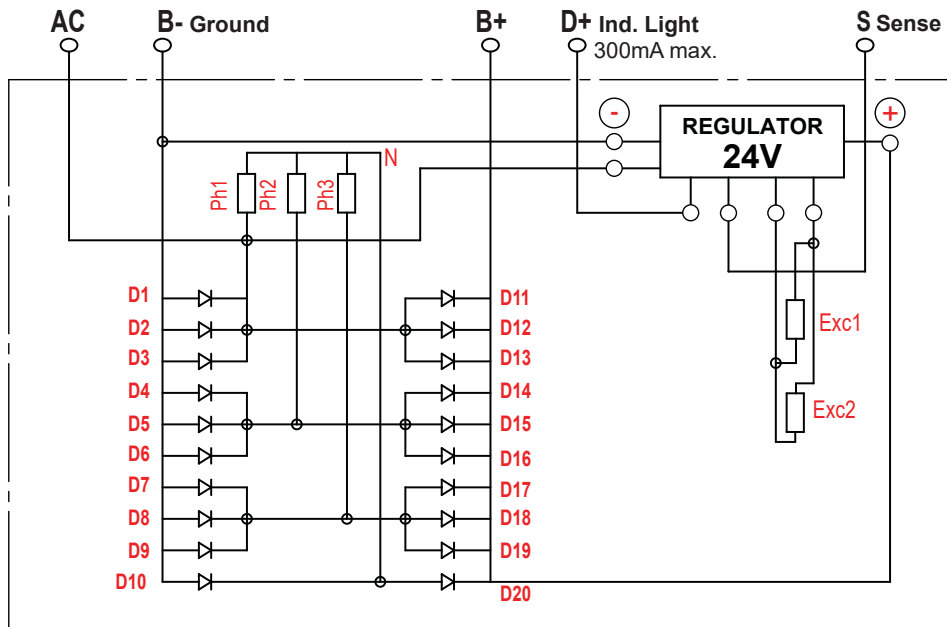
Dimensions are listed in mm over (in)

### CONNECTIONS



100-25209,-D  
28 Volts 400 Amps

### ELECTRICAL SCHEMATIC



D100-25209 - 190117 - Rev. 190801

#### CANADA & EXPORT SALES

Dixie Electric Ltd.  
517 Basaltic Road  
Concord, ON.  
Canada L4K 4W8

Tel.: 905-879-0533 800-461-5799  
Fax: 905-879-0532  
E-Mail: sales@dixie-electric.com  
Web Site: www.dixie-electric.com



#### U.S.A. SALES

Dixie Electric Inc.  
5600 Pioneer Creek Drive, Suite D  
Maple Plain, MN 55359  
U.S.A.

Tel.: 763-475-6629 800-478-0608  
Fax: 763-475-6635 800-392-8719  
E-Mail: mn.sales@dixie-electric.com  
Web Site: www.dixie-electric.us