

### 100-18263 28 Volts 250 Amps

#### PRODUCT SPECIFICATIONS

Part number	100-18263
System Voltage	24V
Rated Output	250A
Output @ 2000 rpm	160A
Ground	Negative
Mounting	T1-7" Left
Rotation	Bidirectional
Temperature limits:	
Low	- 40°C / -40°F
High	110°C / 230°F
High	125°C / 257°F (with fresh air intake)
Speed limits:	8000 RPM continuous 9000 RPM intermittent
Coating	Corrosion-Resistant E-Coated
Weight	51 Lbs / 23 Kg.
Regulator	Integral
Excitation	Self-Excited (@ < 1600 rpm)
Remote Sense Regulation	Yes
Soft Start Function (SSD)	Yes
Over Voltage Shut-Down (OSD)	Yes
Field Short Circuit Protection	Yes
Load Dump Protection	Yes

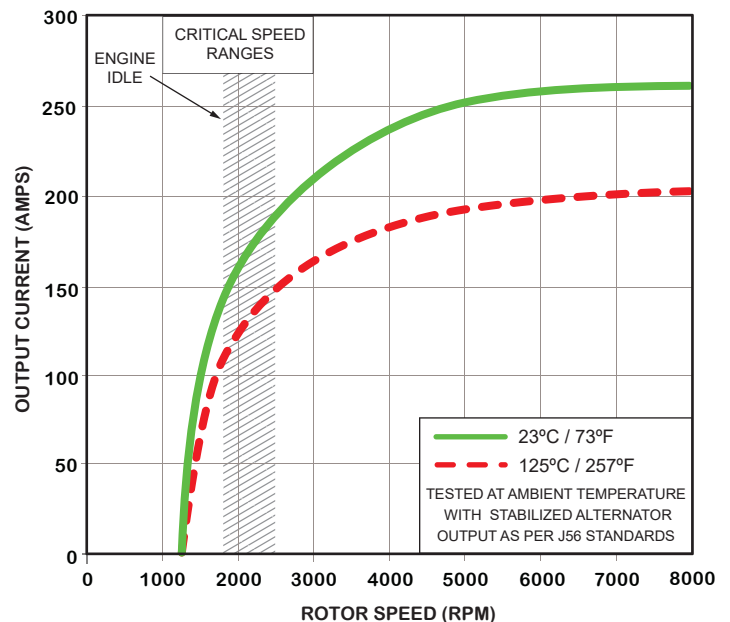
#### RECOMMENDED FOR:

- Transit & Motor Coach Buses
- Agricultural & Forestry
- Industrial & Construction
- Marine
- Mining

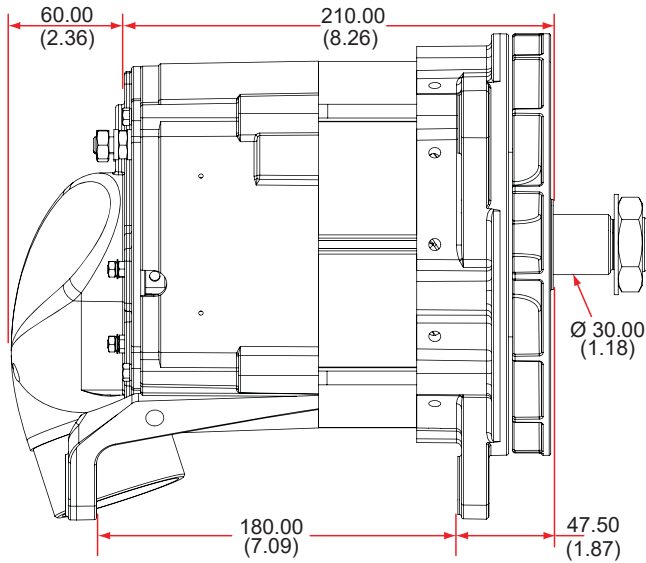


#### NOTE:

*This DelStar 100-18263 alternator, meets the marine requirements for Ignition Protection on gas or diesel engines of ISO 8846, USCG, stated in Title 33 CFR 183.410, SAE J1171 and International CE Standards.*

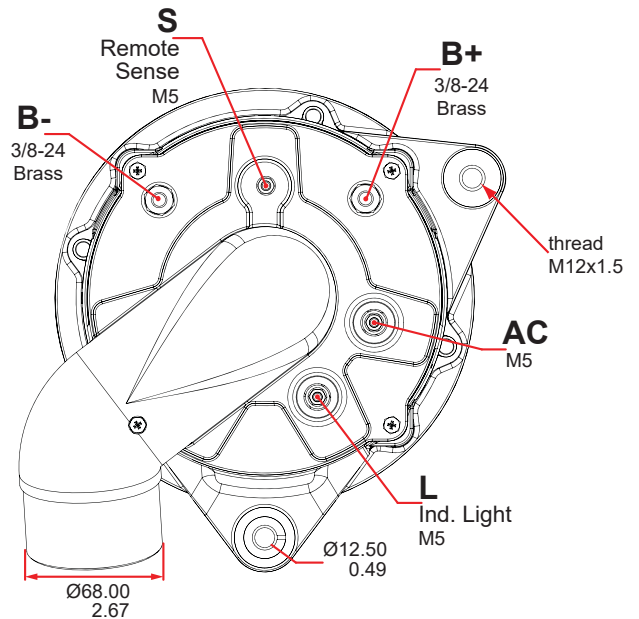


### OUTLINE



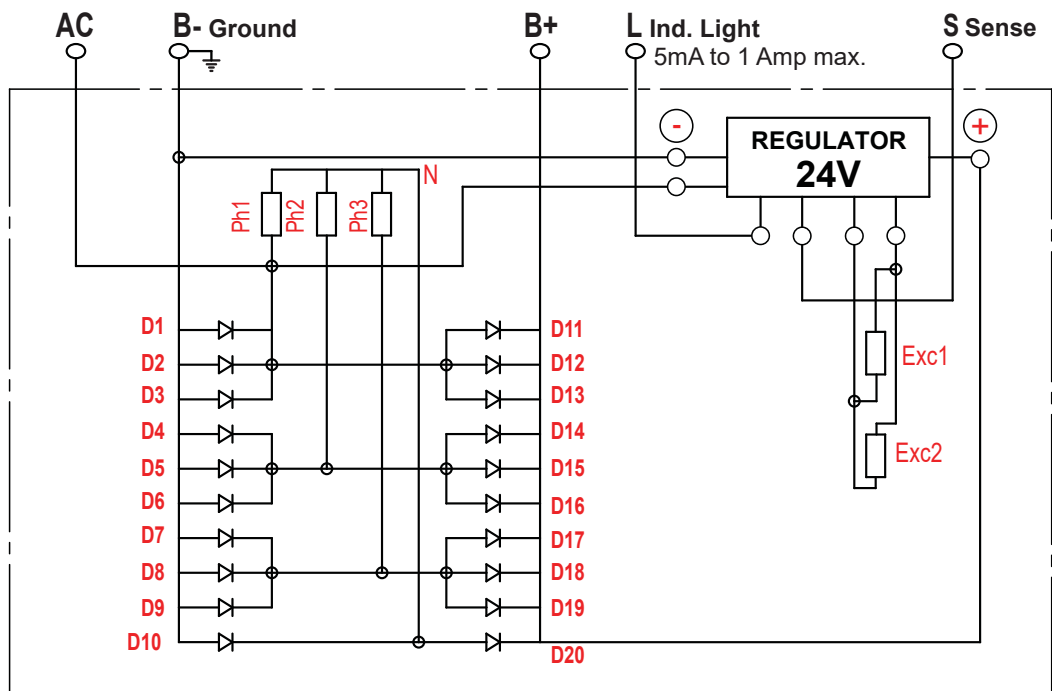
Dimensions are listed in mm over (in)

### CONNECTIONS



100-18263  
28 Volts 250 Amps

### ELECTRICAL SCHEMATIC



D100-18263 - 191210

#### CANADA & EXPORT SALES

Dixie Electric Ltd.  
517 Basaltic Road  
Concord, ON.  
Canada L4K 4W8

Tel.: 905-879-0533 800-461-5799  
Fax: 905-879-0532  
E-Mail: sales@dixie-electric.com  
Web Site: www.dixie-electric.com



Setting the Standard

#### U.S.A. SALES

Dixie Electric Inc.  
5600 Pioneer Creek Drive, Suite D  
Maple Plain, MN 55359  
U.S.A.

Tel.: 763-475-6629 800-478-0608  
Fax: 763-475-6635 800-392-8719  
E-Mail: mn.sales@dixie-electric.com  
Web Site: www.dixie-electric.us