

100-18261 28 Volts 250 Amps

PRODUCT SPECIFICATIONS

Part number	100-18261
System Voltage	24V
Rated Output	250A
Output @ 2000 rpm	160A
Ground	Negative
Mounting	T1-7" Right
Rotation	Bidirectional
Temperature limits:	
Low	- 40°C / -40°F
High	110°C / 230°F
High	125°C / 257°F (with fresh air intake)
Speed limits:	
	8000 RPM continuous
	9000 RPM intermittent
Coating	Corrosion-Resistant E-Coated
Weight	51 Lbs / 23 Kg.
Regulator	Integral
Excitation	Self-Excited (@ < 1600 rpm)
Remote Sense Regulation	Yes
Soft Start Function (SSD)	Yes
Over Voltage Shut-Down (OSD)	Yes
Field Short Circuit Protection	Yes
Load Dump Protection	Yes

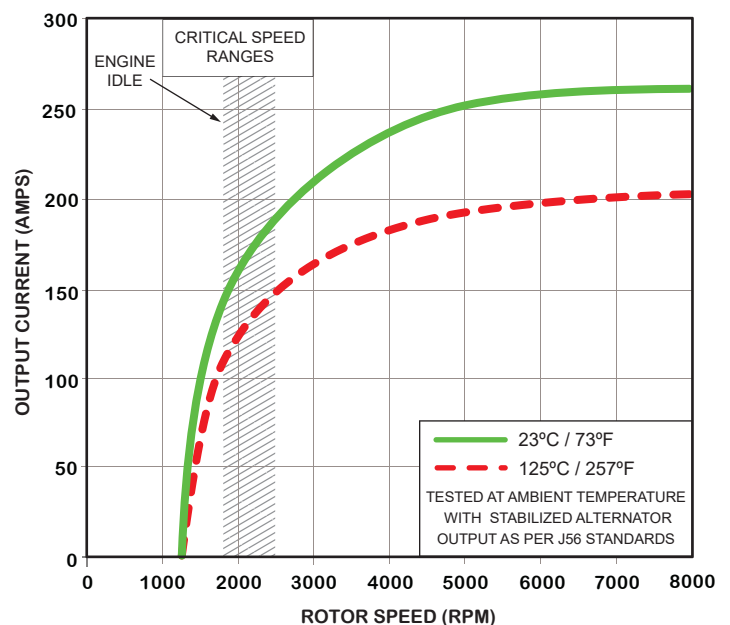
RECOMMENDED FOR:

- Transit & Motor Coach Buses
- Agricultural & Forestry
- Industrial & Construction
- Marine
- Mining

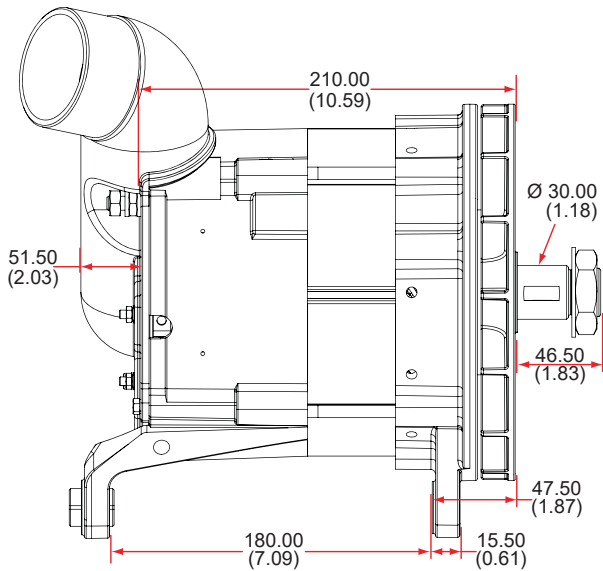


NOTE:

This DelStar 100-18261 alternator, meets the marine requirements for Ignition Protection on gas or diesel engines of ISO 8846, USCG, stated in Title 33 CFR 183.410, SAE J1171 and International CE Standards.

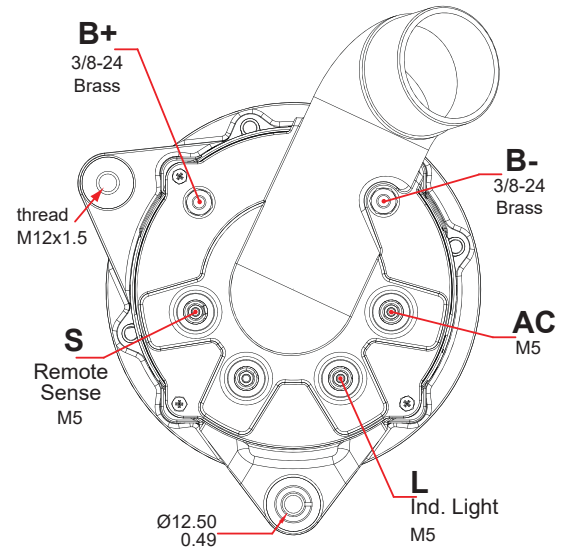


OUTLINE



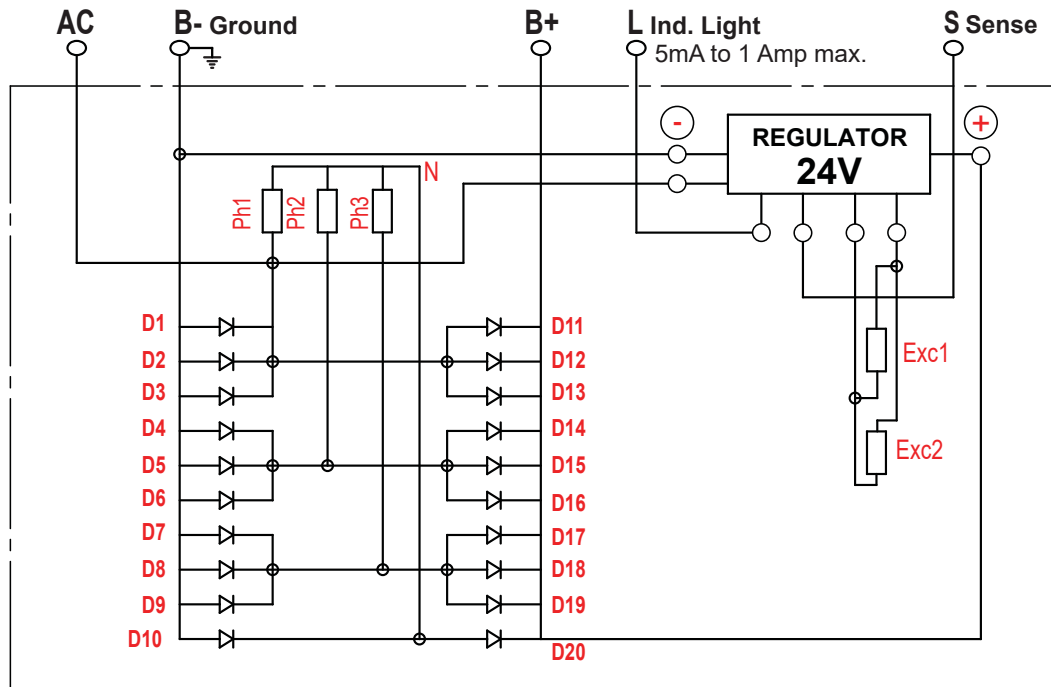
Dimensions are listed in mm over (in)

CONNECTIONS



100-18261
28 Volts 250 Amps

ELECTRICAL SCHEMATIC



D100-18261 - 191210

CANADA & EXPORT SALES

Dixie Electric Ltd.
517 Basaltic Road
Concord, ON.
Canada L4K 4W8

Tel.: 905-879-0533 800-461-5799
Fax: 905-879-0532
E-Mail: sales@dixie-electric.com
Web Site: www.dixie-electric.com



U.S.A. SALES

Dixie Electric Inc.
5600 Pioneer Creek Drive, Suite D
Maple Plain, MN 55359
U.S.A.

Tel.: 763-475-6629 800-478-0608
Fax: 763-475-6635 800-392-8719
E-Mail: mn.sales@dixie-electric.com
Web Site: www.dixie-electric.us