

100-18232
28 Volts 265 Amps



w/ optional 90° elbow

PRODUCT SPECIFICATIONS

Part number	100-18232
System Voltage	24V
Rated Output	265A
Output @ 2000 rpm	165A
Ground	Isolated
Mounting	T1-7" Left 60°
Rotation	Bidirectional
Temperature limits:	
Low	- 40°C / -40°F
High	110°C / 230°F
High	125°C / 257°F (with fresh air intake)
Speed limits:	
7000 RPM continuous	
8000 RPM intermittent	
Coating	Corrosion-Resistant E-Coated
Weight	51 Lbs / 23 Kg.
Regulator	Integral
Diode Trio (D+)	Indicator Light / Ignition
Remote Sense	M5 terminal
AC	M5 terminal

ACCESSORIES:

90° Elbow Pkg. (360° Rotatable) # 46900-1800

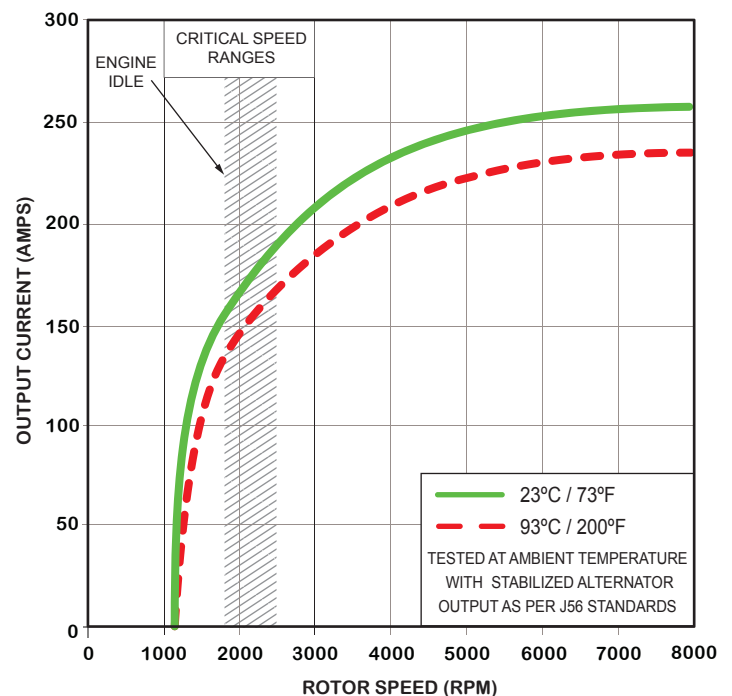
RECOMMENDED FOR:

- Coach & Transit Busses
- Marine
- Mining
- Construction, Industrial

NOTE:

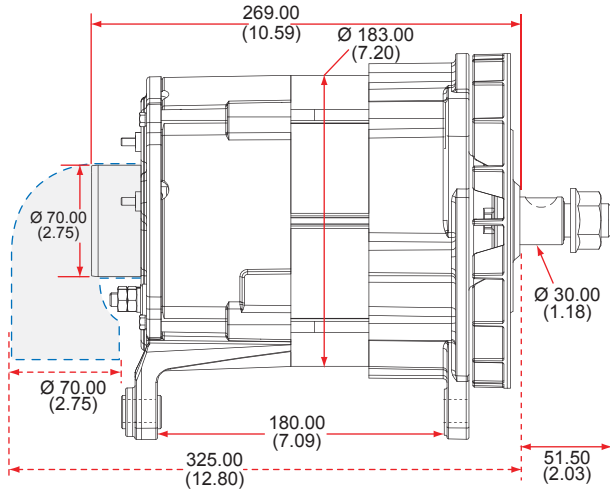
This DelStar 100-18232 alternator, meets the marine requirements for Ignition Protection on gas or diesel engines of ISO 8846, USCG, stated in Title 33 CFR 183.410, SAE J1171 and International CE Standards.

PERFORMANCE CURVES

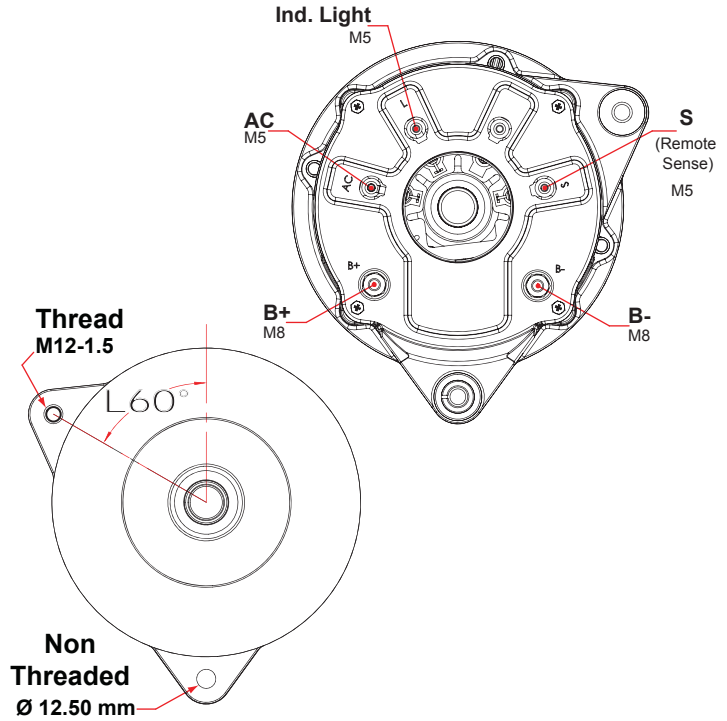


OUTLINE

CONNECTIONS

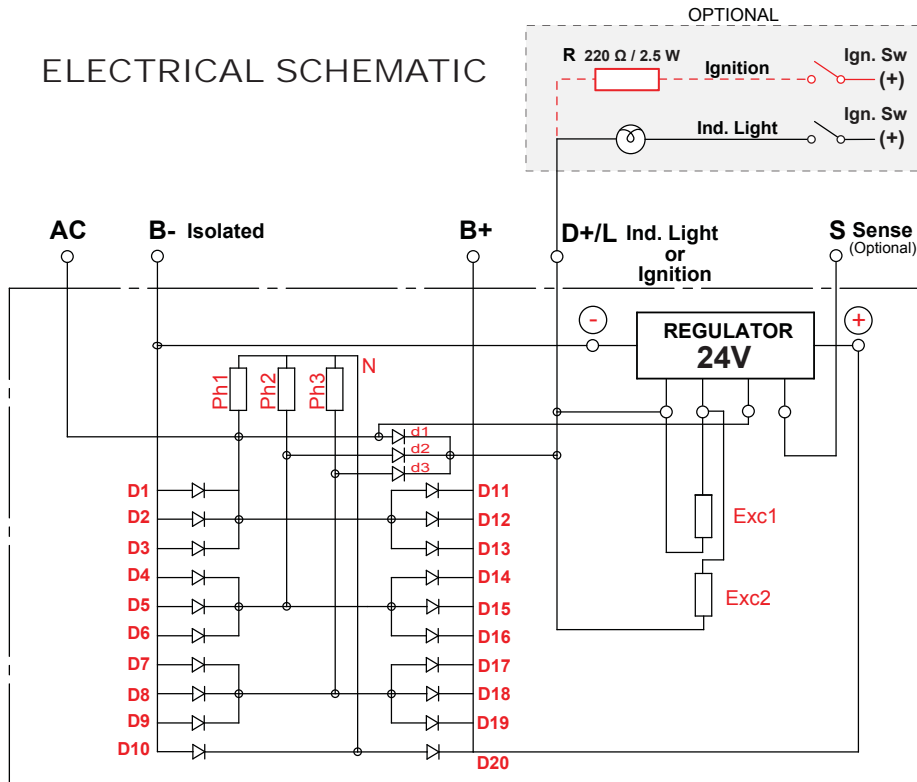


Dimensions are listed in mm over (in)



100-18232
28 Volts 265 Amps

ELECTRICAL SCHEMATIC



CANADA & EXPORT SALES

Dixie Electric Ltd.
517 Basaltic Road
Concord, ON.
Canada L4K 4W8

Tel.: 905-879-0533 800-461-5799
Fax: 905-879-0532
E-Mail: sales@dixie-electric.com
Web Site: www.dixie-electric.com



U.S.A. SALES

Dixie Electric Inc.
17100 Medina Rd, Suite 100
Minneapolis, MN.
U.S.A. 55447-1249

Tel.: 763-475-6629 800-478-0608
Fax: 763-475-6635 800-392-8719
E-Mail: mn.sales@dixie-electric.com
Web Site: www.dixie-electric.com