

100-18228 28 Volts 265 Amps

PRODUCT SPECIFICATIONS

Part number	100-18228
System Voltage	24V
Rated Output	265A
Output @ 2000 rpm	165A
Ground	Isolated
Mounting	T1-7" Left 60°
Rotation	Bidirectional
Temperature limits:	
Low	- 40°C / -40°F
High	110°C / 230°F
High	125°C / 257°F (with fresh air intake)
Speed limits:	
	7000 RPM continuous
	8000 RPM intermittent
Coating	Corrosion-Resistant E-Coated
Weight	51 Lbs / 23 Kg.
Regulator	Integral
Indicator Light	M5 Terminal
Remote Sense	M5 terminal
AC	M5 terminal

ACCESSORIES:

90° Elbow Pkg. (360° Rotatable)	# 46900-1800
Clutch Pulley (10 Grv. 96mmOD)	# 2400-1803
Clutch Pulley (12 Grv. 96mmOD)	# 2400-1804

RECOMMENDED FOR:

- Coach & Transit Busses
- Marine
- Mining
- Construction, Industrial

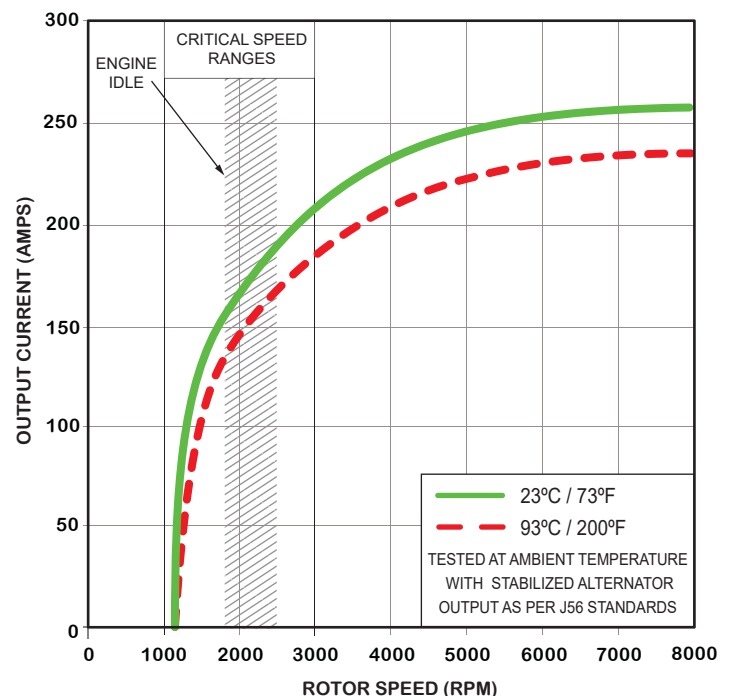


w/ optional 90° elbow

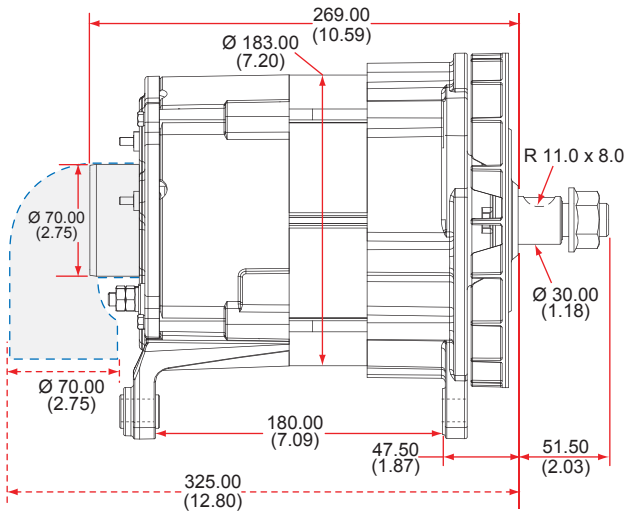
NOTE:

This DelStar 100-18228 alternator, meets the marine requirements for Ignition Protection on gas or diesel engines of ISO 8846, USCG, stated in Title 33 CFR 183.410, SAE J1171 and International CE Standards.

PERFORMANCE CURVES

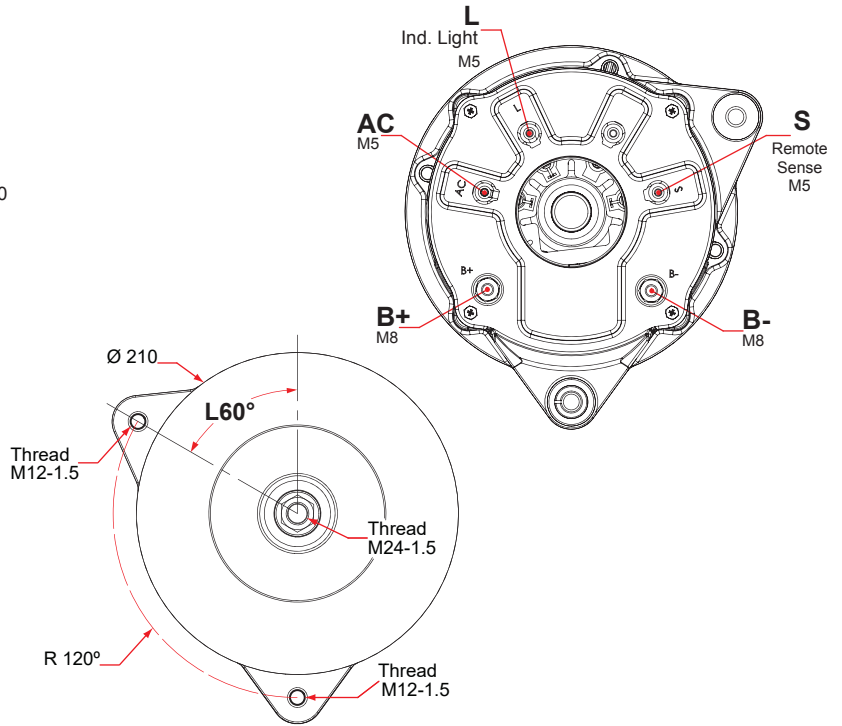


OUTLINE



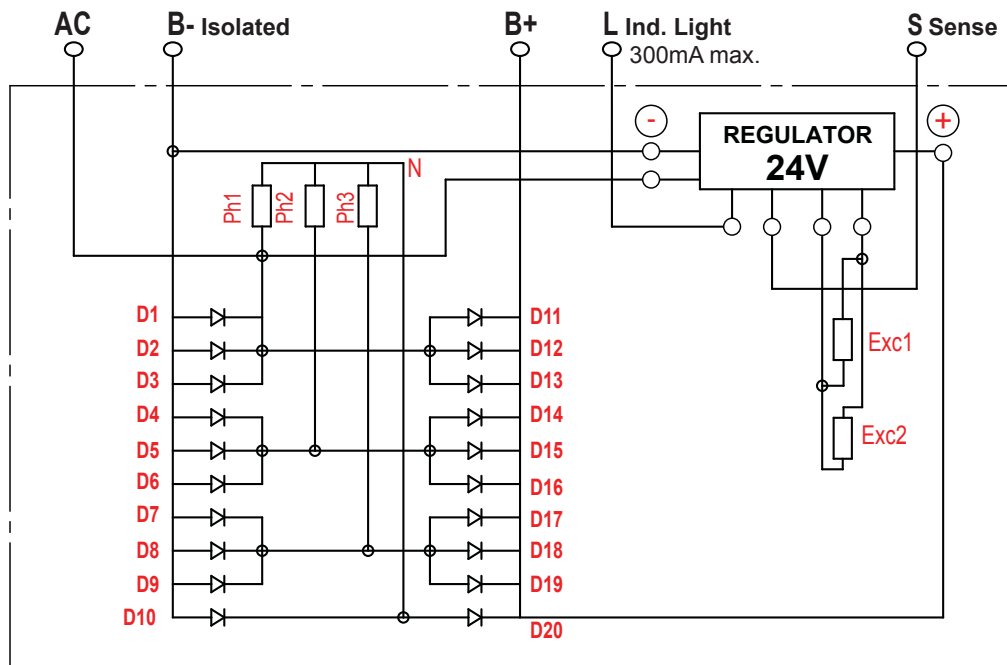
Dimensions are listed in mm over (in)

CONNECTIONS



100-18228
28 Volts 265 Amps

ELECTRICAL SCHEMATIC



CANADA & EXPORT SALES

Dixie Electric Ltd. Tel.: 905-879-0533 800-461-5799
517 Basaltic Road Fax: 905-879-0532
Concord, ON. E-Mail: sales@dixie-electric.com
Canada L4K 4W8 Web Site: www.dixie-electric.com



Setting the Standard

U.S.A. SALES

Dixie Electric Inc. Tel.: 763-475-6629 800-478-0608
5600 Pioneer Creek Drive, Suite D Fax: 763-475-6635 800-392-8719
Maple Plain, MN 55359 E-Mail: mn.sales@dixie-electric.com
U.S.A. Web Site: www.dixie-electric.us