

100-18114,-D 14 Volts 435 Amps

PRODUCT SPECIFICATIONS

Part number	100-18114
System Voltage	12V
Rated Output	435A
Output @ 2000 rpm	260A
Ground	Negative
Mounting	Pad
Rotation	Bidirectional
Temperature limits:	
Low	-40°C / -40°F
High	110°C / 230°F
High	125°C / 257°F (with fresh air intake)
RPM limits:	
	8000 RPM continuous
	9000 RPM intermittent
Coating	Corrosion-Resistant E-Coated
Weight	46 Lbs / 21 Kg.
Regulator	Integral
Excitation	Self-excited (@ < 1600 rpm)
Indicator Light	Yes
Remote Sense	Yes
Soft Start Delay (SSD)	Yes
Field Short Circuit Protection	Yes
Load Dump Protection	Yes
Overvoltage Shut-Down (OSD)	Yes

ACCESSORIES:

90° Elbow Pkg. (360° Rotatable) # 46900-1800

RECOMMENDED FOR:

- School & Shuttle Buses
- Emergency Vehicles
- Utility Vehicles



100-18114

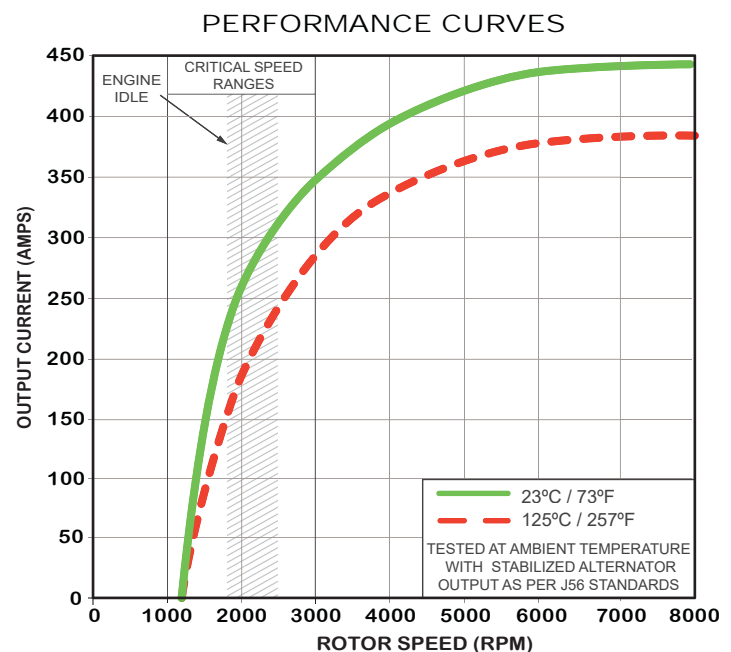


100-18114-D

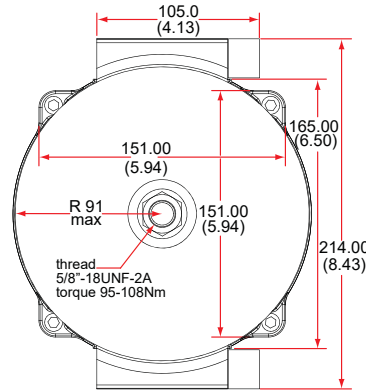
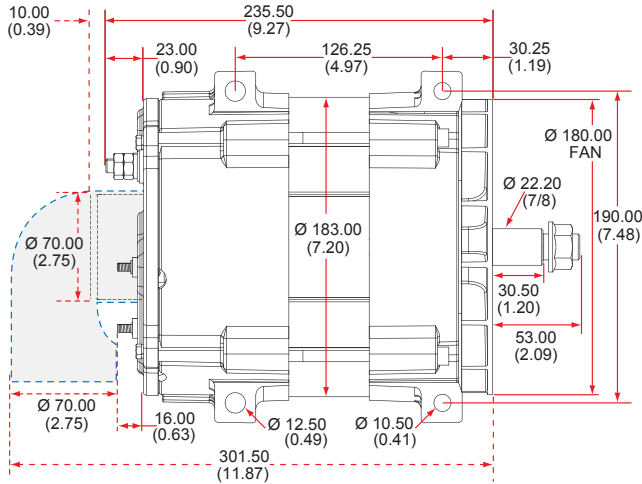
with air intake cover & Optional 90° elbow

NOTE:

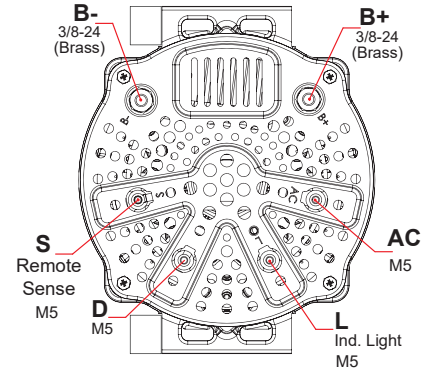
This DelStar 100-18114 alternator, meets the marine requirements for Ignition Protection on gas or diesel engines of ISO 8846, USCG, stated in Title 33 CFR 183.410, SAE J1171 and International CE Standards.



OUTLINE



CONNECTIONS

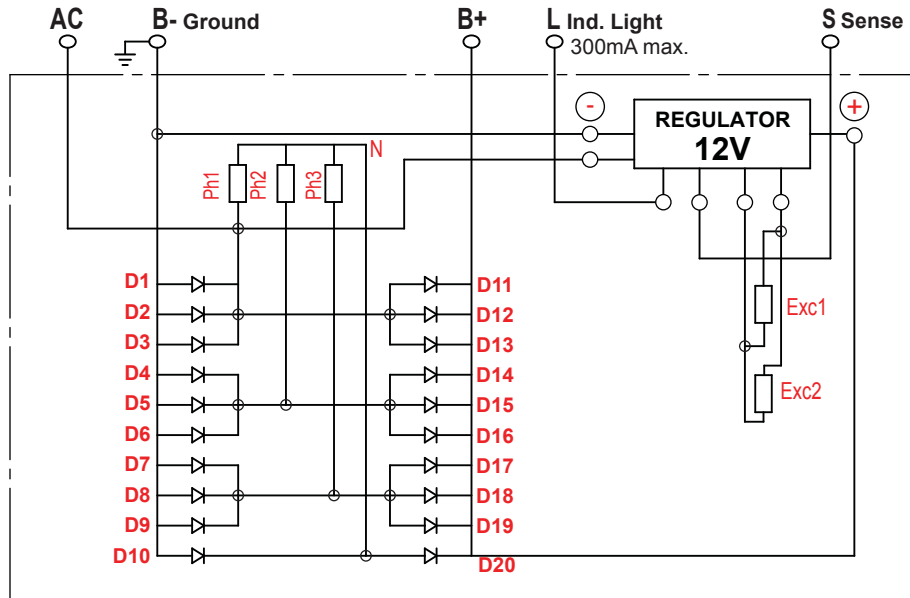


Dimensions are listed in mm over (in)

100-18114

14 Volts 435 Amps

ELECTRICAL SCHEMATIC



D100-18114 - 170215 - Rev.: 191015

CANADA

Dixie Electric Ltd.
517 Basaltic Road
Concord, ON L4K 4W8
Canada

Tel.: 905-879-0533 800-461-5799
Fax: 905-879-0532
e-mail: sales@dixie-electric.com
www.dixie-electric.com



Setting the Standard

U.S.A.

Dixie Electric Inc.
5600 Pioneer Creek Drive, Suite D
Maple Plain, MN 55359
U.S.A.

Tel.: 763-475-6629 800-478-0608
Fax: 763-475-6635 800-392-8719
e-mail: mn.sales@dixie-electric.com
www.dixie-electric.us