

DelStar®

HD Brushless

Series 180

SERVICE PARTS

EXPLODED VIEW
for J180 4" Hinge & PAD Mount

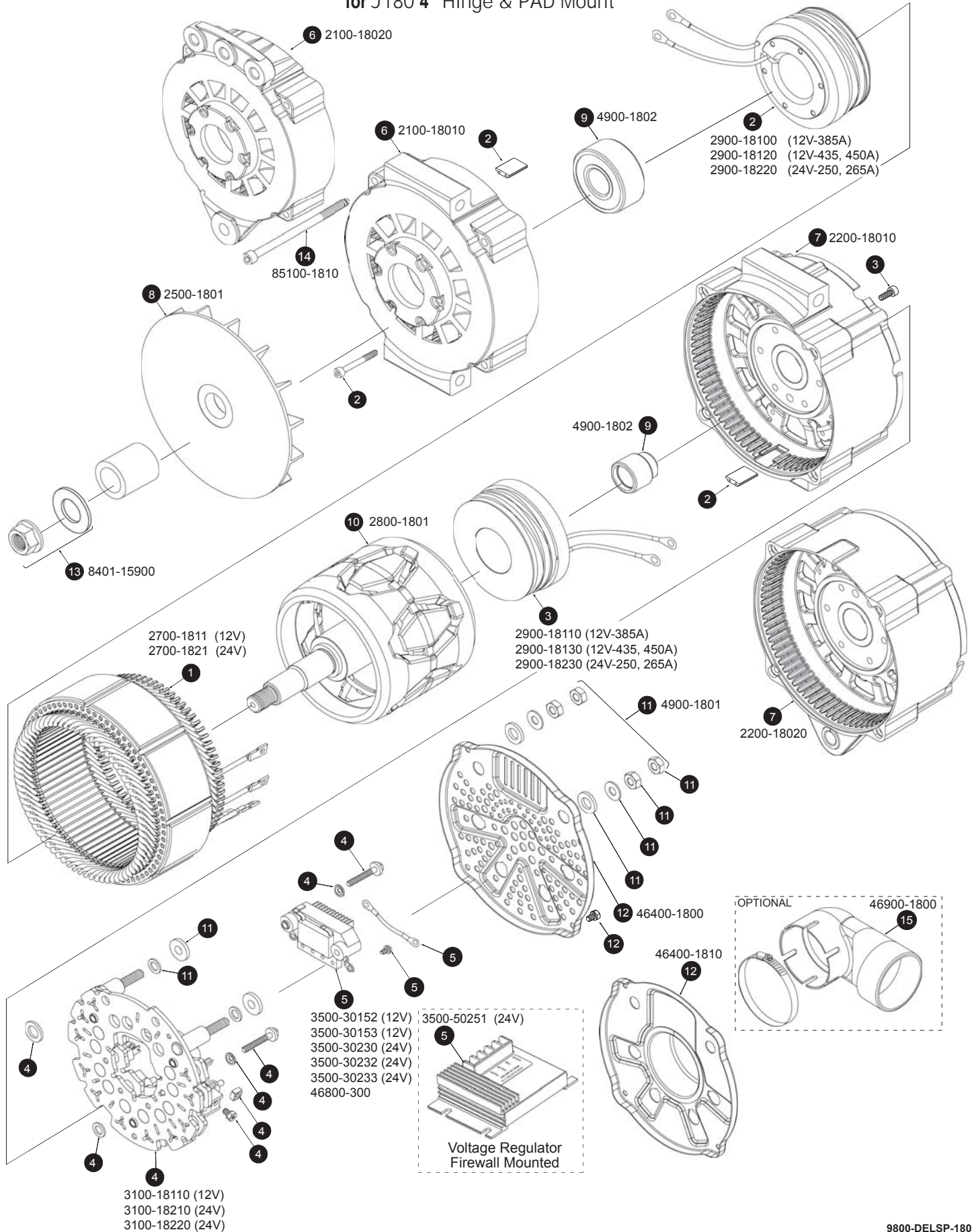


Series 180

9800-DELS-180
150619

HD Brushless

EXPLODED VIEW for J180 4" Hinge & PAD Mount



MAJOR COMPONENTS

MODEL No.	V-Amp @ 2000 / 5000 RPM	STATOR ASSY.	FRONT COIL PKG.	REAR COIL PKG.	RECTIFIER PKG.	REGULATOR OR TERM. BLOCK	FRONT HOUSING ASSY. <small>Includes Bearing</small>	REAR HOUSING ASSY. <small>Includes Bearing</small>

100-18100	12V-245 / 385A	2700-1811	2900-18100	2900-18110	3100-18110	3500-30152 3500-30153	2100-18020	2200-18020
100-18101	12V-260 / 435A	2700-1811	2900-18120	2900-18130	3100-18110	3500-30152 3500-30153	2100-18020	2200-18020
100-18111	12V-260 / 435A	2700-1811	2900-18120	2900-18130	3100-18110	3500-30152 3500-30153	2100-18010	2200-18010
100-18113	12V-245 / 385A	2700-1811	2900-18100	2900-18110	3100-18110	3500-30152 3500-30153	2100-18010	2200-18010

100-18201	24V-160 / 250A	2700-1821	2900-18220	2900-18230	3100-18210	3500-30230 *	2100-18020	2200-18020
					3100-182220	3500-30232 3500-30233		
100-18202	24V-160 / 250A	2700-1821	2900-18220	2900-18230	3100-18210	3500-30230 *	2100-18020	2200-18020
					3100-18220	3500-30232 3500-30233		
100-18203	24V-160 / 250A	2700-1821	2900-18220	2900-18230	3100-18220	46800-300 **	2100-18020	2200-18020
100-18211	24V-160 / 250A	2700-1821	2900-18220	2900-18230	3100-18210	3500-30230 *	2100-18010	2200-18010
					3100-18220	3500-30232 3500-30233		
100-18213	24V-160 / 250A	2700-1821	2900-18220	2900-18230	3100-18210	3500-30230 *	2100-18010	2200-18010
					3100-18220	3500-30232 3500-30233		
100-18214	24V-145 / 250A	2700-1821	2900-18220	2900-18230	3100-18220	46800-300 **	2100-18010	2200-18010

* 3500-30230 Used w/ 3100-18210 (Diode Trio type Rectifier)

** Terminal block connector pkg. For firewall mounted voltage regulator use 3500-50251

ITEM	PART No.	DESCRIPTION
1	2700-1811	STATOR ASSY. 180 (12V-385 ,435,450A)
1	2700-1821	STATOR ASSY. 180 (24V-250 , 265A)
2	2900-18100	COIL PKG., 180 Front (12V-385A)
2	2900-18120	COIL PKG., 180 Front (12V-435, 450A)
2	2900-18220	COIL PKG., 180 Front (24V-250, 265A)
3	2900-18110	COIL PKG., 180 Rear (12V-385A)
3	2900-18130	COIL PKG., 180 Rear (12V-435, 450A)
3	2900-18230	COIL PKG., 180 Rear (24V-250, 265A)
4	3100-18110	RECTIFIER PKG. 180 12V
4	3100-18210	RECTIFIER PKG. 180 24V,w/Diode Trio
4	3100-18220	RECTIFIER PKG. 180 24V
5	3500-30152	V. REGULATOR PKG., 14.2 V. Set
5	3500-30153	V. REGULATOR PKG., 14.2 V. Set (Adjustable)
5	3500-30230	V. REG. PKG., Used w/ Diode Trio type Rectifier
5	3500-30232	V. REGULATOR PKG., 28.0 V. Set
5	3500-30233	V. REGULATOR PKG., 28.0 V. Set (Adjustable)
5	3500-50251	V. REGULATOR, 28.0 V. Set (Adjustable) Firewall Mounted
5	46800-300	TERMINAL BLOCK CONNECTOR PKG.

ITEM	PART No.	DESCRIPTION
6	2100-18010	HOUSING ASSY., 180 Front - PAD (Includes bearing)
6	2100-18020	HOUSING ASSY., 180 Front - J180 (Includes bearing)
7	2200-18010	HOUSING ASSY., 180 Rear - PAD (Includes bearing)
7	2200-18020	HOUSING ASSY., 180 Rear - J180 (Includes bearing)
8	2500-1801	FAN, 180 (Bi-directional)
9	4900-1802	BEARING PKG., 180 (Includes bearing inner bearing)
10	2800-1801	ROTOR ASSY., 180, 22.0mm Ø shaft
11	4900-1801	HARDWARE PKG.
12	46400-1800	COVER PLATE PKG. 180
12	46400-1810	COVER PLATE PKG., 180 with 2.75" Ø air intake
13	8401-15900	PULLEY NUT PKG., (5/8-18 Thread)
14	85100-1810	THRU-BOLT PKG. (M7 X 1.0 X 114mm L)
15	46900-1800	ELBOW PKG., (360° Rotatable for Air Intake Cover)

9800-DELSF-180
150619

**Corporate Headquarters
Manufacturing and Distribution**

Dixie Electric Ltd.
517 Basaltic Road
Concord, ON. Canada L4K 4W8
Tel.: 905-879-0533 Fax: 905-879-0532
U.S. 800-563-3933
E-Mail: sales@dixie-electric.com
Web Site: www.dixie-electric.com



**USA
Sales and Distribution**

Dixie Electric Inc.
17100 Medina Road, Suite 100
Minneapolis, MN. U.S.A. 55447-1249
Tel.: 763-475-6629 800-478-0608
Fax: 763-475-6635 800-392-8719
E-Mail: mn.sales@dixie-electric.com
Web Site: www.dixie-electric.com