



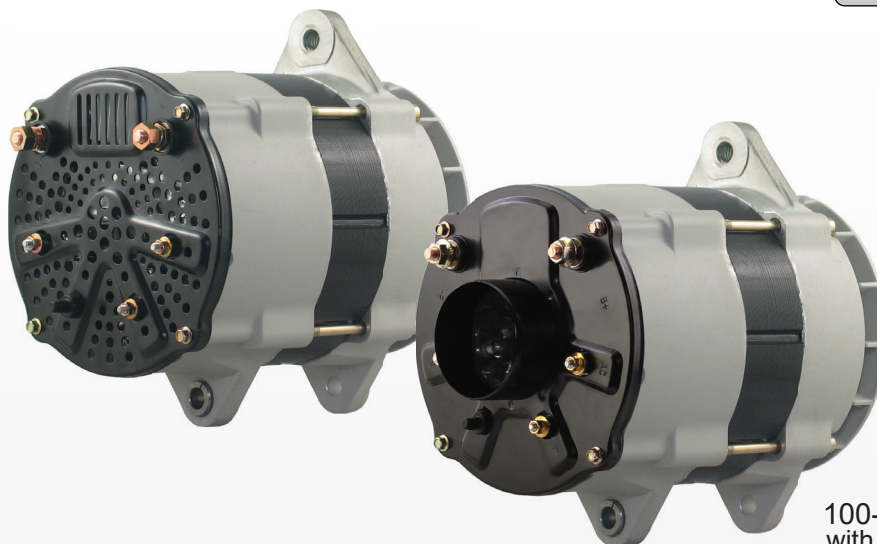
# HD BRUSHLESS

## DelStar® SERIES 170

### 100-17101,-D 12 Volts 285 Amps

Designed to be used with:

**MASTERVOLT**  
Alpha Pro III Voltage Regulator\*



Please contact your **MASTERVOLT** dealer

100-17101-D  
with air intake cover

### PRODUCT SPECIFICATIONS

<b>Part number</b>	100-17101
<b>System Voltage</b>	12V
<b>Rated Output</b>	285A
<b>Output @ 2000 rpm</b>	160A
<b>Ground</b>	Isolated
<b>Mounting</b>	J180 4" Hinge
<b>Rotation</b>	Bidirectional
<b>Temperature limits:</b>	
Low	-40°C / -40°F
High	110°C / 230°F
High	125°C / 257°F (with fresh air intake)
<b>Speed limits:</b>	
	8000 RPM continuous
	9000 RPM intermittent
<b>Coating</b>	Corrosion-Resistant E-Coated
<b>Weight</b>	38 Lbs / 17.4 Kg.
<b>Regulator</b>	Remote

### RECOMMENDED FOR:

- School & Shuttle Buses
- Utility Vehicles
- Marine & Mining
- Agricultural
- Construction & Industrial

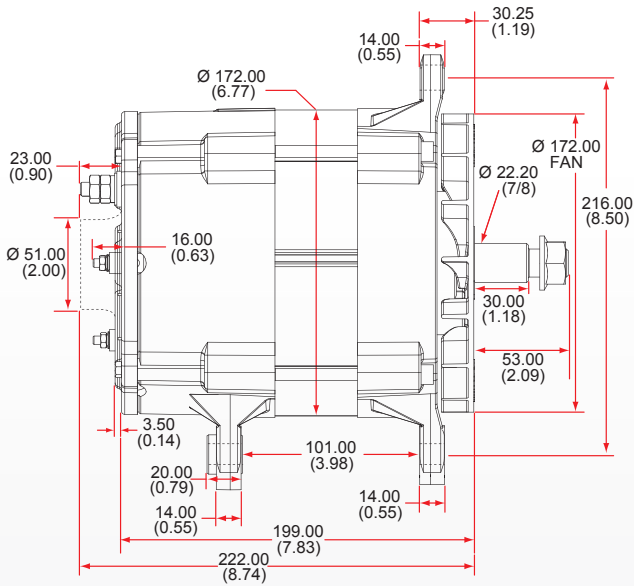
### NOTE:

This DelStar 100-17101 alternator, meets the marine requirements for Ignition Protection on gas or diesel engines of ISO 8846, USCG, stated in Title 33 CFR 183.410, SAE J1171 and International CE Standards.

# ALTERNATORS

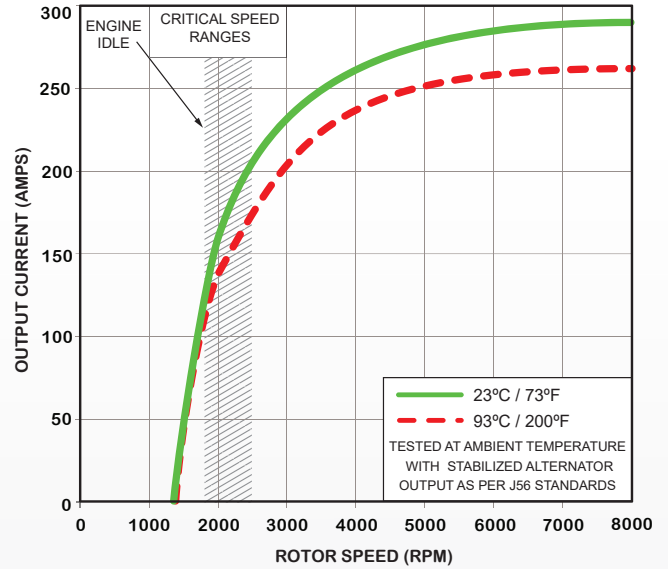
# DelStar® SERIES 170

## OUTLINE



Dimensions are listed in mm over (in)

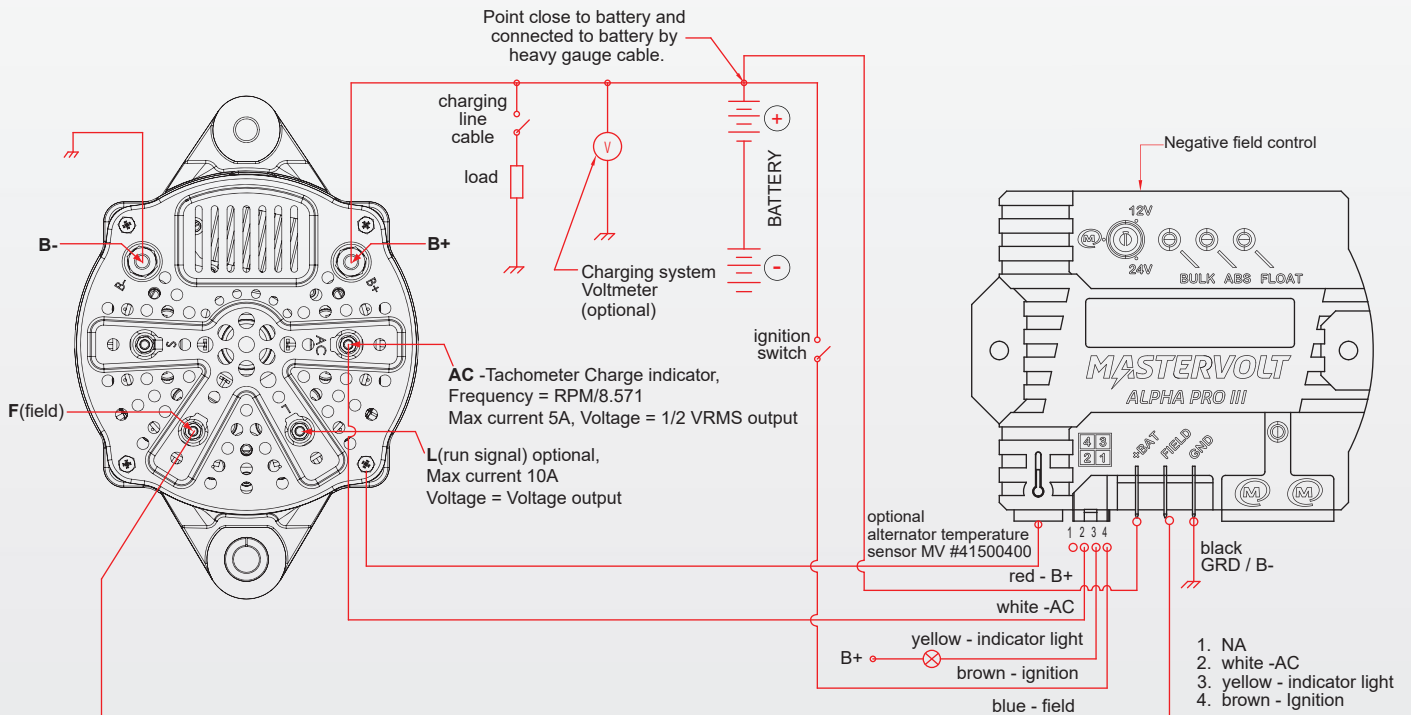
## PERFORMANCE CURVES



## 100-17101

12 Volts, 285 Amps

## CONNECTIONS



### CANADA & EXPORT SALES

Dixie Electric  
517 Basaltic Road  
Concord, ON  
Canada L4K 4W8  
Tel: 905-879-0533 | 800-461-5799  
Fax: 905-879-0532  
E-Mail: sales@dixie-electric.com  
www.dixie-electric.com



### U.S.A. SALES

Dixie Electric Inc.  
5600 Pioneer Creek Drive, Suite D  
Maple Plain, MN 55359  
U.S.A.  
Tel: 763-475-6629 | 800-478-0608  
Fax: 763-475-6635 | 800-392-8719  
E-Mail: mn.sales@dixie-electric.com  
www.dixie-electric.us