

100-16106,-D

14 Volts 240 Amps

PRODUCT SPECIFICATIONS

Part number	100-16106
System Voltage	12V
Rated Output	240A
Output @ 2000 rpm	126A
Ground	Isolated
Mounting	J180 4" Hinge
Rotation	CW
Temperature limits:	
Low	-40°C / -40°F
High	110°C / 230°F
High	125°C / 257°F (with fresh air intake)
Speed limits:	
	8000 RPM continuous
	9000 RPM intermittent
Coating	Corrosion-Resistant E-Coated
Weight	28 Lbs / 12.7 Kg.
Regulator	Integral
Excitation	Self-excite (@ 1500 rpm or less)
Indicator Light	Yes
Remote Sense Regulation	Yes
Soft Start Function	Yes
6 Sec. Load Response Control (LRC)	Yes
Field Short Circuit Protection	Yes
Load Dump Protection	Yes
Over Voltage Protection	Yes

RECOMMENDED FOR:

- School & Shuttle Buses
- Utility Vehicles
- Marine & Mining
- Agricultural
- Construction & Industrial



100-16106

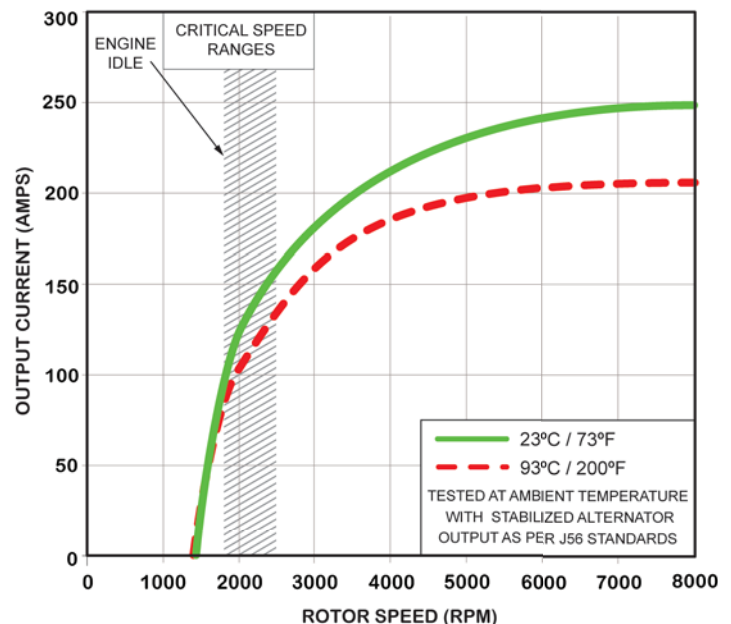


100-16106-D
with air intake cover

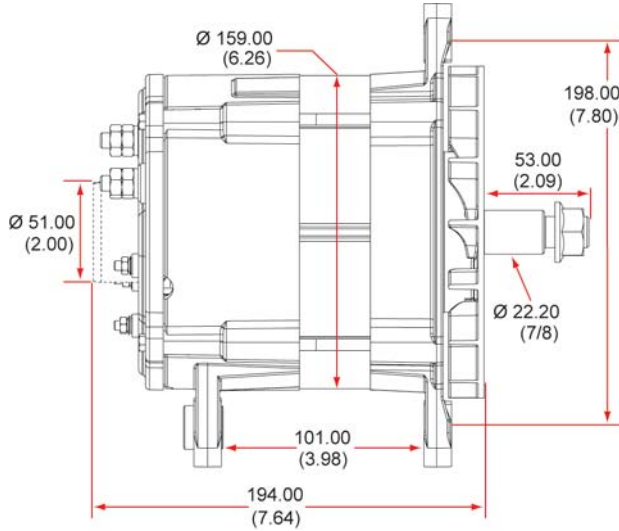
NOTE:

This DelStar 100-16106 alternator, meets the marine requirements for Ignition Protection on gas or diesel engines of ISO 8846, USCG, stated in Title 33 CFR 183.410, SAE J1171 and International CE Standards.

PERFORMANCE CURVES

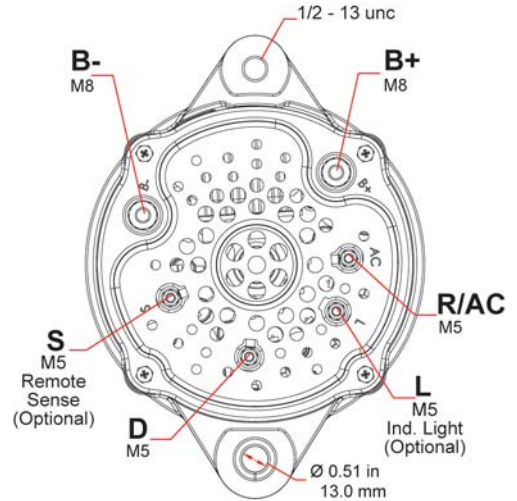


OUTLINE



Dimensions are listed in mm over (in)

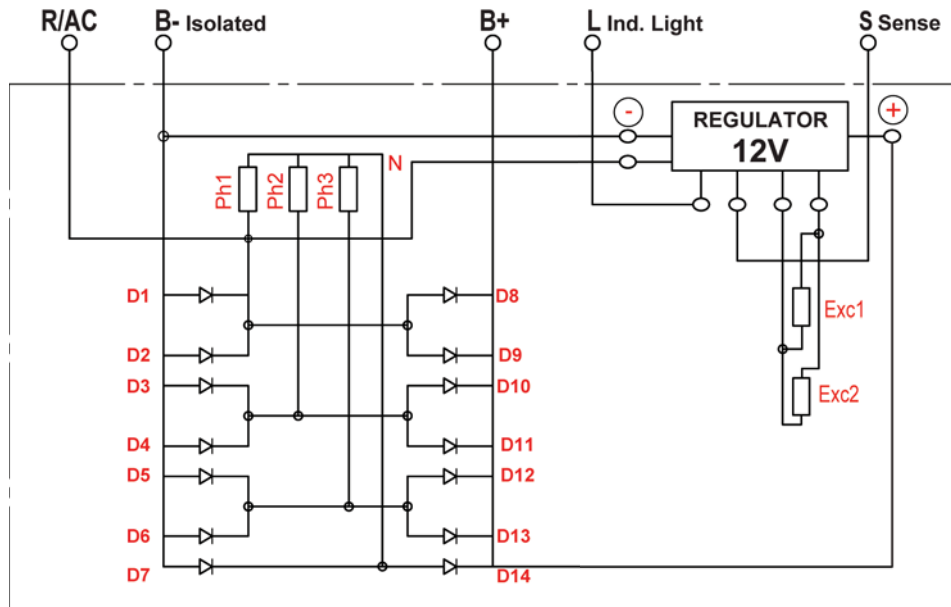
CONNECTIONS



If the vehicle has an ignition (excite) circuit, connect wire to "D" (dummy) terminal.

100-16106
14 Volts 240 Amps

ELECTRICAL SCHEMATIC



D100-16106 - 151111

CANADA & EXPORT SALES

Dixie Electric Ltd. Tel.: 905-879-0533 800-461-5799
517 Basaltic Road Fax: 905-879-0532
Concord, ON. E-Mail: sales@dixie-electric.com
Canada L4K 4W8 Web Site: www.dixie-electric.com



U.S.A. SALES

Dixie Electric Inc. Tel.: 763-475-6629 800-478-0608
17100 Medina Rd, Suite 100 Fax: 763-475-6635 800-392-8719
Minneapolis, MN. E-Mail: mn.sales@dixie-electric.com
U.S.A. 55447-1249 Web Site: www.dixie-electric.com